

# **PARTS CATALOGUE**

**MODEL YEAR 1999**

**XV1100L (4XNA) (49)**

**XV1100LC (4XNB) (CALIFORNIA)**

<b>COLOR CODE</b>	<b>COLOR NAME</b>	<b>ABBREVI- ATION</b>
188	DEEP RED METALLIC 2	DRM2

**OWNERS**                    **LIT-11626-12-06**  
**ASSEMBLY**                **LIT-11666-04-99**  
**SERVICE**                   **LIT-11616-XV-11**

# FOREWORD

## -INTRODUCTION- To The Yamaha Parts Fiche

This parts fiche lists parts and sub-assemblies for the XV1100L/LC. When preparing a parts order, please refer to the most recently updated microfiche for this model.

### THE YAMAHA PARTS FICHE

#### SYMBOLS

I	Inactive, no longer available
U.R.	Use size (thickness) and/or number as required
U.N.	Use as many as you need
T	Number of teeth in a gear
V	Voltage for light bulbs
S	"S" type oil seal or "S" type circlip
SD,SO,SW	"SD", "SO", or "SW" type oil seal
E,R	"E" or "R" type circlip
F/No.	Frame No. (Applicable Machine No.)
L.M.	Locally made
O.L.	Obtain locally
AP	Alternate Part

#### SUPERSEDED PART NUMBERS

If part 'A' has been superseded by part 'B', the superseding part number "B" will appear in the part number listing with the superseded part number "A" appearing in parentheses immediately following the description.

#### EXAMPLE:

Ref. No.	Part No.	Description	Qty.
	(Part 'B')	(Part 'A')	
8	123-45678-00-00	CYLINDER (111-12345-00-00) .....	1

A part that has been supersede to a kit may be identified by a 99999-00000-00 part number appearing in the part number column. The old superseded part number will appear in parentheses immediately following the description. Listed directly below the 99999 part number will be those parts making up the kit. The description of the parts making up the kit will be preceded by a small black dot (.) and the description will be indented one letter space.

#### EXAMPLE:

Ref. No.	Part No.	Description .....	Qty.
8	99999-12345-00	CYLINDER (111-12345-00-00)	1
	234-56789-00-00	• HEAD, CYLINDER	1

#### SIZES

Except for steel balls (ball sizes are indicated in inches), all parts sizes are indicated in millimeters as in the following examples:

Hose (Rubber or Vinyl) .....	Inside Diameter - Length
O-Ring .....	Section Area - Inside Diameter
Washer, Shim, Collar .....	Inside Diameter - Outside Diameter Thickness (Length)

#### ASSEMBLIES AND COMPONENT PARTS

Assemblies and their component parts, are identified by an indentation of one letter space, and the description is preceded by a dot (.). If two main assemblies are listed, and have the same basic description (i.e.: left and right sides of the same assembly), one will immediately follow the other. If each of these main assemblies is made up of almost the same components, these component parts will be listed immediately under the second main assembly line and will be indicated, as noted above.

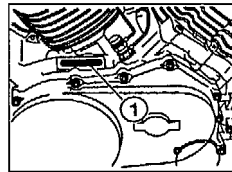
If the component is the same for both main assemblies, the quantity indicated will be the total required. If the component is not the same for both main assemblies, the quantity for each separate item will be listed separately.

#### EXAMPLE:

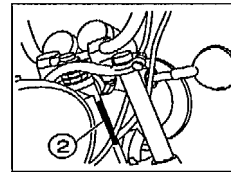
Description	Qty
CARBURETOR ASSY, LEFT .....	1
CARBURETOR ASSY, RIGHT .....	1
. JET, PILOT .....	2
. NOZZLE, MAIN .....	2
. LEVER, STARTER, LEFT .....	1
. LEVER, STARTER, RIGHT .....	1

#### APPLICABLE SERIAL NO.

(1) Engine Serial No.



(2) Frame Serial No.

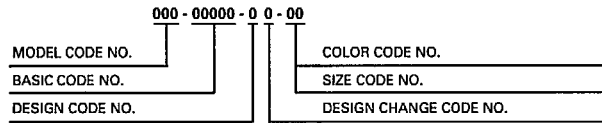


# FOREWORD

## THE YAMAHA PART NUMBER

The Yamaha part number consists of 12 digits. Each number represents a specific piece of information relating to a replacement part. The following is a guide for reading and interpreting the Yamaha part number.

### BASIC PART NUMBER CONFIGURATION:



### MODEL CODE NUMBER

FIRST THREE DIGITS . . . 000-00000-00-00

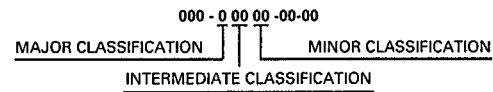
Every model in each Yamaha product line is assigned a model number to identify that particular model. All component parts are given the model code number relating to the model on which they were first used.

Example: 4DU-00000-00-00 identifies the XJ600SE.  
3FA-00000-00-00 identifies the YFA1E.

### BASIC CODE NUMBER

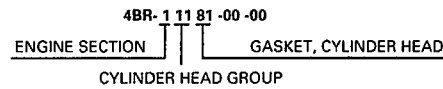
MIDDLE FIVE DIGITS . . . 000-00000-00-00

These "Middle Five Digits" indicate the type of part i.e., piston, rings, lower units, etc. The five digits are broken down as follows:



The "Major Classification" indicates the section to which the parts belong, i.e., engine, electrical etc. The "Intermediate" and "Minor Classifications" indicate more specific details.

Example:



### DESIGN CODE NUMBER: 000-00000-00-00

The design code distinguishes like component parts from one another when specification differences are involved. For example, distinguishing a standard size piston ring from an oversized piston ring.

Example:

4BR-11610- 0 0-00 Standard Piston Ring Set for XJ600SE  
4BR-11610- 2 0-00 Oversize Piston Ring Set for XJ600SE

### DESIGN CHANGE CODE NUMBER: 000-00000-00-00

This code number is used to identify a difference between a new component part and old one when a new part is created by changing the old one.

Example: YFZ350E

2GU-11610-0 0 -00 PISTON RING SET, STD. - ORIGINAL  
2GU-11610-0 1 -00 PISTON RING SET, STD. - FIRST DESIGN CHANGE

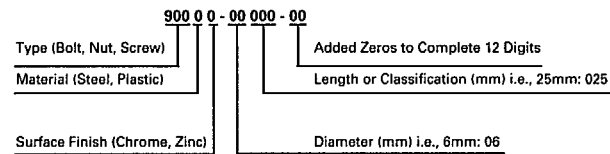
Only major changes to performance, durability, quality, appearance, cost or interchangeability will affect a part number change.

### COLOR CODE & SIZE CODE NUMBER: 000-00000-00-00

When applicable, the last two digits of the part number identify:

1. Color Code: The painted color or type of plating or surface treatment used on certain parts.
2. Size Code: The last two digits are also used to show the size of parts (mm). Such as the thickness of shims or the size of pistons.

### HARDWARE (Fastener) PART NUMBER CONFIGURATION:



TYPE:

A fastener part number always begins with the number "9" followed by either a 0, 1, 2, 3, 4, 5, 6, 7 or 8 designating one of eight major divisions within this group.

# FOREWORD

**Example:**

- 9 0 000-00000-00 "0" designates various types.
- 9 1 000-00000-00 "1" designates bolts, cotter pins, etc.
- 9 2 000-00000-00 "2" designates screw, nuts, etc.
- 9 3 000-00000-00 "3" designates oil seals, o-rings, bearings, etc.
- 9 4 000-00000-00 "4" designates spark plugs.
- 9 5 000-00000-00 "5" designates bolts and nuts.
- 9 7 000-00000-00 "7" designates ISO bolts.
- 9 8 000-00000-00 "8" designates ISO screws and nuts.

The only major divisions which the mechanic should become familiar with are those related to the general hardware (nuts, bolts, and washers), since these are the most commonly used and most often replaced items. By knowing how to interpret the part number, the dimensions of a piece of hardware can be determined. This can be very helpful during major engine repair, and general parts replacement.

**BOLT EXAMPLE:**

91311 - 06 018 - 00

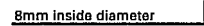


**EXCEPTION:**

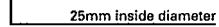
It is NOT possible to identify the LENGTH of bolts having a 901 prefix. Only the bolt diameter can be identified with this number.

**NUT AND WASHER EXAMPLE:**

95301 - 08600 - 00 NUT



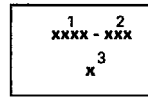
90201 - 25290 - 00 WASHER



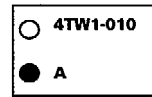
## -MODEL LABEL-

A label called "Model Label" is affixed in the location as indicated in (3) below. When using this parts catalogue, please be sure to cross-reference the "model code - production code No." in the catalogue to the "model code - production code No." indicated on the Model Label affixed onto the product concerned.

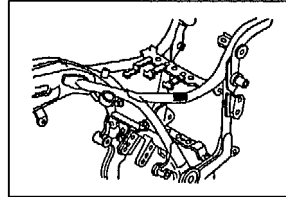
**"MODEL LABEL" INDICATION**



- 1 Model Type Code
- 2 Production Code No
- 3 Coloring Type



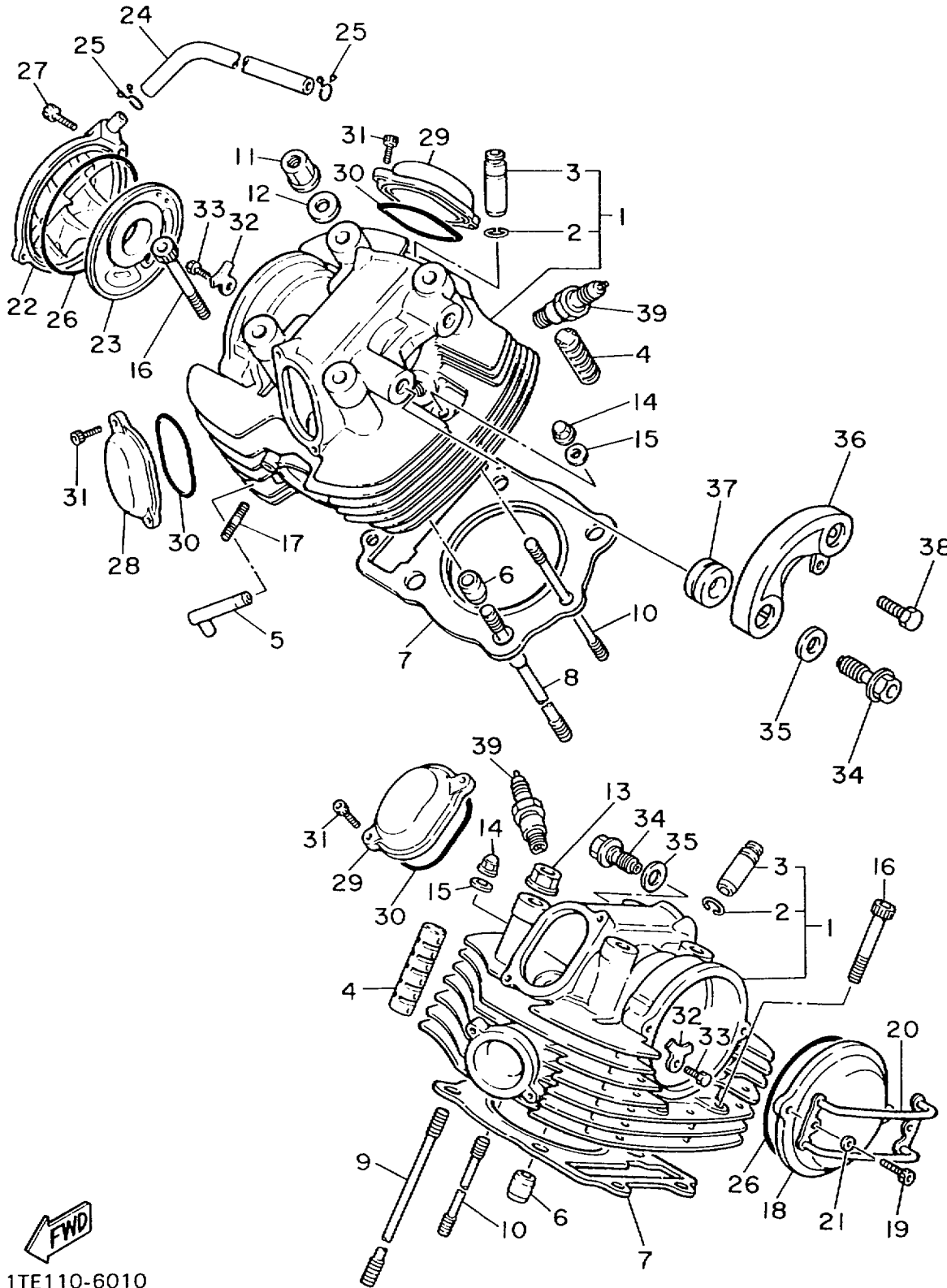
**MODEL LABEL AFFIXING LOCATION**



**MODEL CODE - PRODUCTION CODE NUMBER OF MODEL LISTED IN THIS PARTS CATALOG**

Model Code	Production Code No.	Country (destination)
4XNA	010	USA
4XNB	020	CALIFORNIA

# CYLINDER HEAD

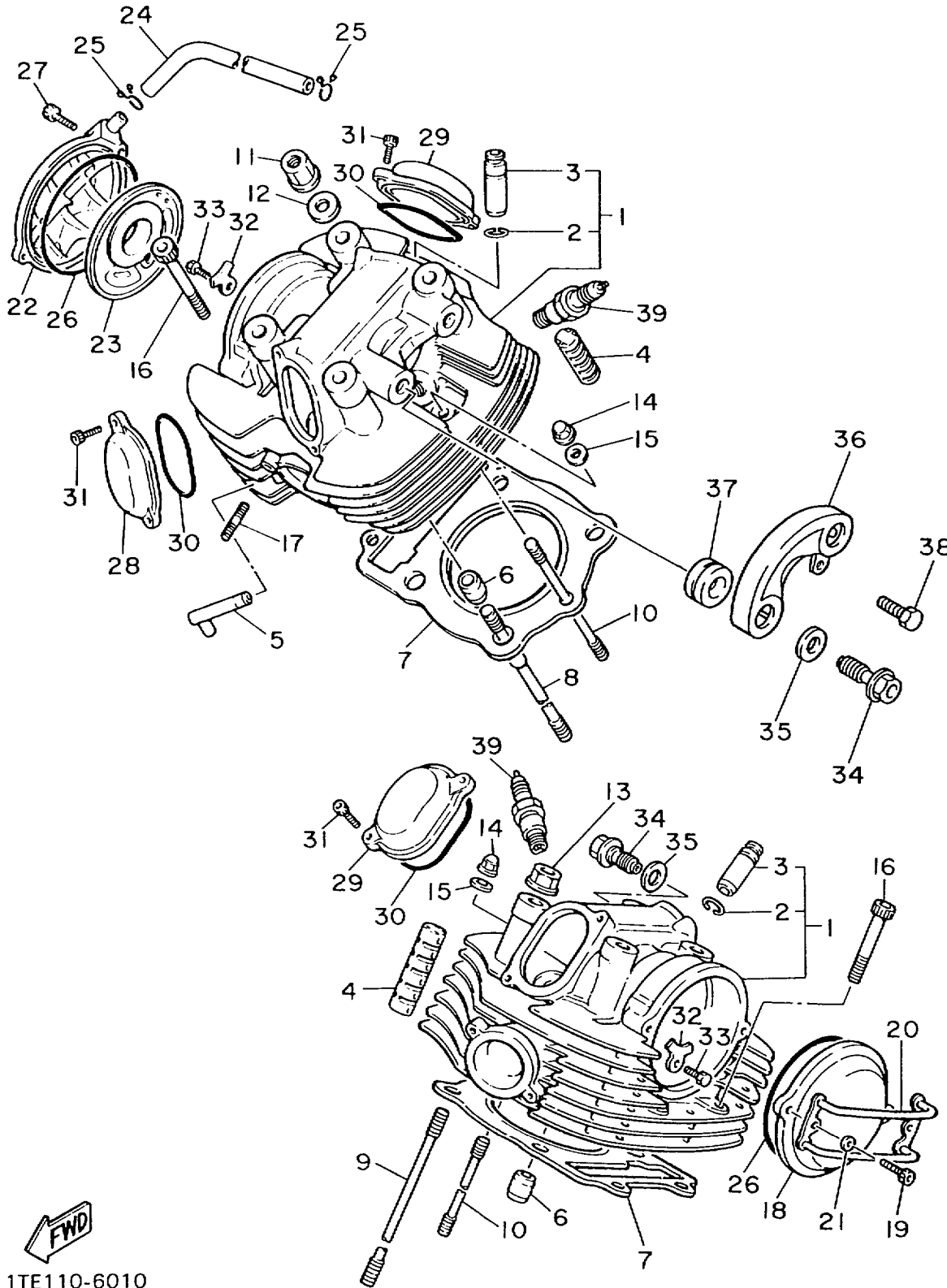


Ref. No.	Part Number	Description	Qty	Remarks
1	1TA-11102-02-00	CYLINDER HEAD ASSEMBLY	2	
2	93440-14086-00	. CIRCLIP	2	
3	4X7-11133-10-00	. GUIDE, IN./EX. VALVE	2	
4	4X7-11127-00-00	ABSORBER 3	8	
5	42H-14873-01-00	PIPE 3	2	
6	91817-30011-00	PIN, DOWEL	4	
7	42H-11181-00-00	GASKET, CYLINDER HEAD 1	2	
8	4X7-11363-01-00	BOLT, CYLINDER HOLDING 3	4	
9	90116-12469-00	BOLT, STUD	4	
10	90116-10344-00	BOLT, STUD	2	
11	90179-12326-00	NUT	4	
12	90201-125A3-00	WASHER, PLATE	4	
13	90179-12325-00	NUT	4	
14	90176-10075-00	NUT, CROWN	2	
15	90201-101A4-00	WASHER, PLATE	2	
16	91314-08050-00	BOLT	4	
17	90116-08104-00	BOLT, STUD	4	
18	42X-11185-01-00	COVER, CYLINDER HEAD SIDE 1	1	
19	91314-06016-00	BOLT	2	
20	42X-11152-00-00	BRACKET, CYLINDER HEAD COVER	1	
21	90202-05208-00	WASHER, PLATE	2	
22	42X-11111H-01-00	COVER, CYLINDER HEAD SIDE 4	1	
23	42X-11165-00-00	PLATE, BREATHER	1	
24	42X-11166-01-00	PIPE, BREATHER 1	1	
25	90467-14015-00	CLIP	2	
26	93210-92448-00	O-RING	2	
27	91314-06025-00	BOLT	2	

CONTINUED ON NEXT FRAME ►

**FWD**  
1TE110-6010

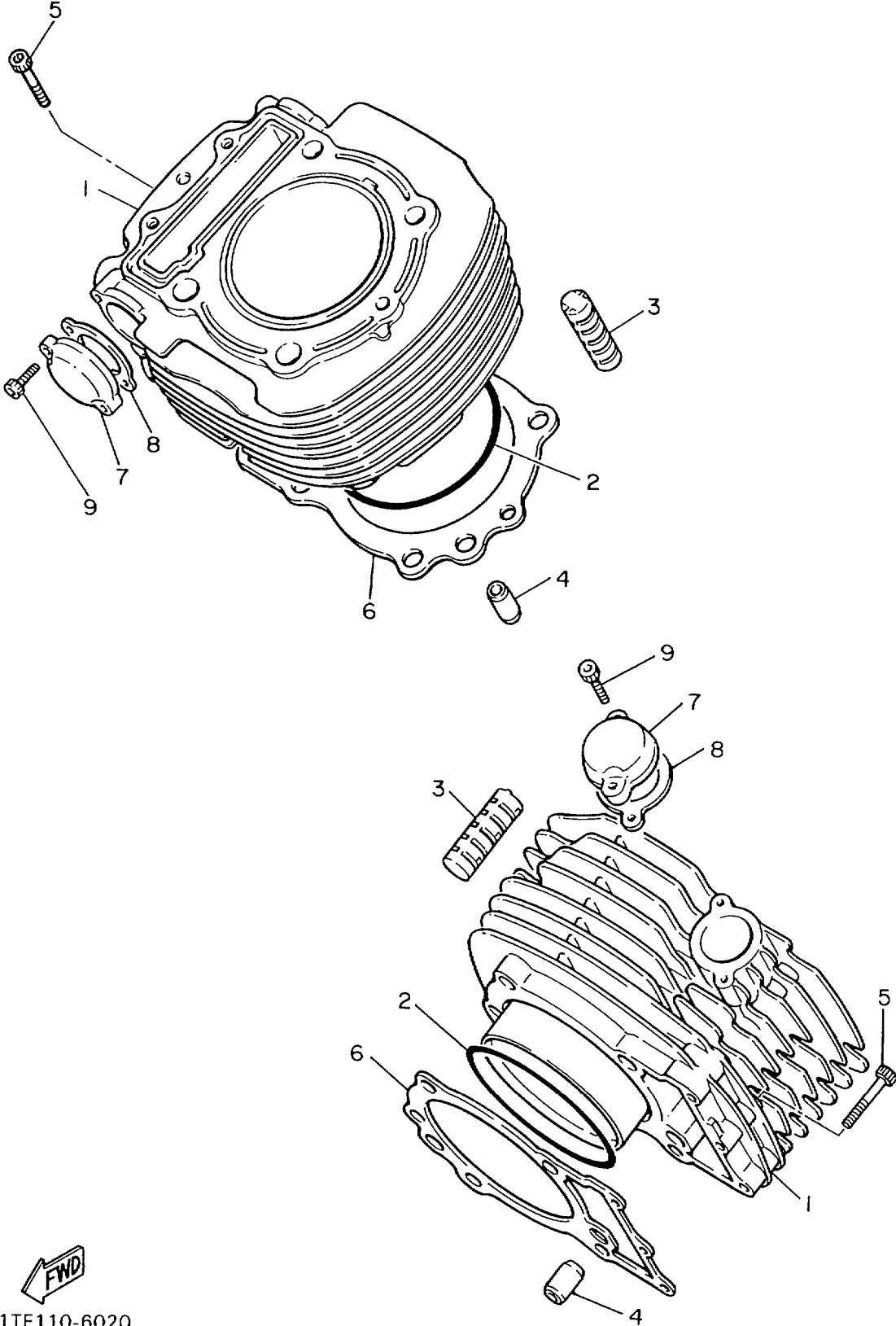
# CYLINDER HEAD



Ref. No.	Part Number	Description	Qty	Remarks
28	42H-11186-01-00	COVER, CYLINDER HEAD SIDE 2	2	
29	4X7-11187-01-00	COVER, CYLINDER HEAD SIDE 3	2	
30	93210-62446-00	O-RING	4	
31	91314-06016-00	BOLT	8	
32	4X7-1111F-00-00	PLATE	2	
33	97017-08020-00	BOLT	2	
34	90401-16065-00	BOLT, UNION	2	
35	90430-17168-00	GASKET	2	
36	1RM-1112E-00-00	COVER, CYLINDER HEAD 3	1	
37	90480-23444-00	GROMMET	2	
38	91317-06010-00	BOLT	1	
39	NGK-BPR7E-S0-00	PLUG, SPARK (NGK BPR7ES)	2	UR

**FWD**  
1TE110-6010

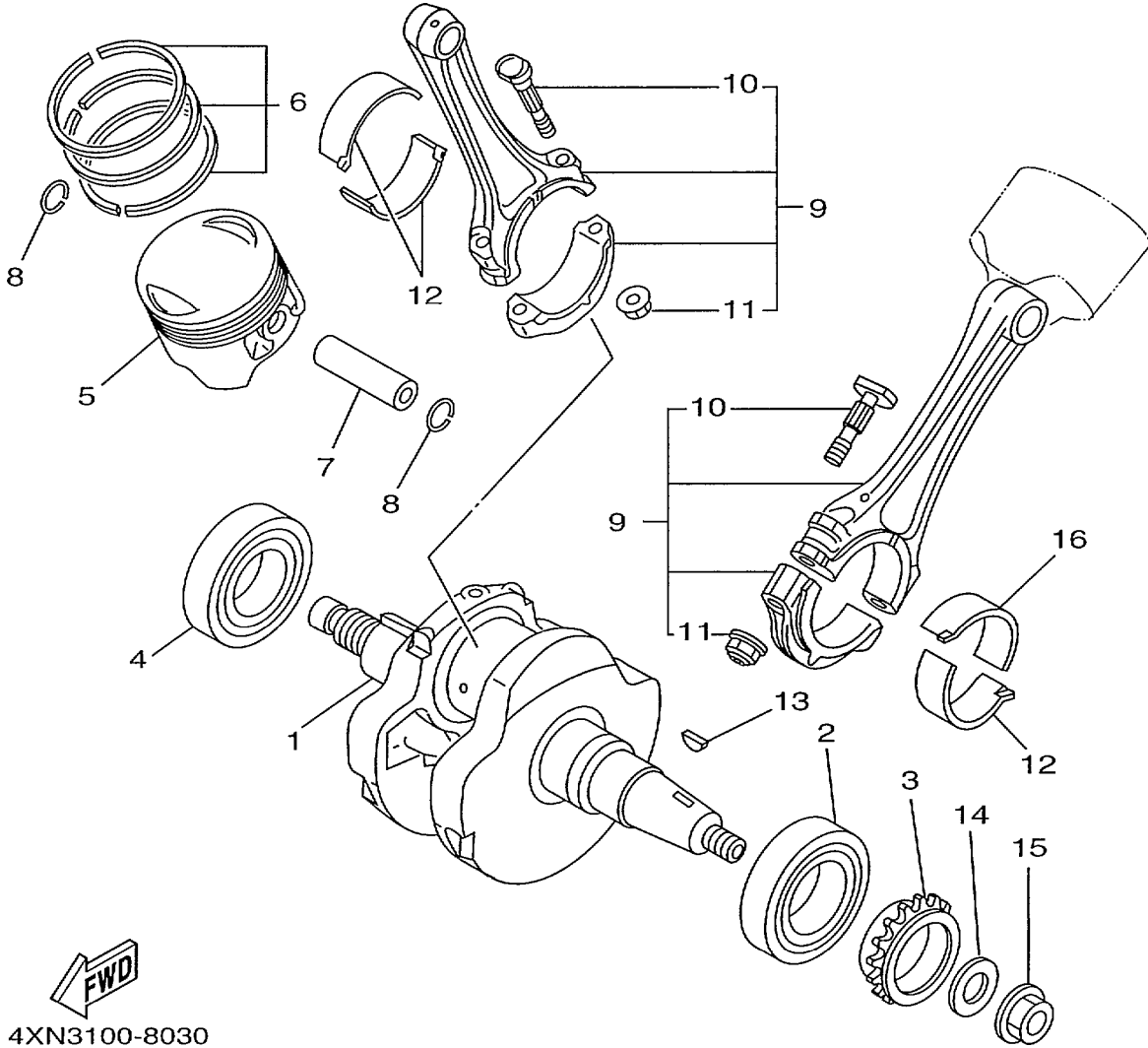
# CYLINDER



Ref. No.	Part Number	Description	Qty	Remarks
1	1TA-11310-00-00	CYLINDER .....	2	
2	93211-01467-00	O-RING .....	2	
3	4X7-11161-00-00	ABSORBER 1 .....	4	
4	90387-087A5-00	COLLAR .....	4	
5	91314-06040-00	BOLT .....	6	
6	3EG-11351-01-00	GASKET, CYLINDER .....	2	
7	4X7-12215-01-00	CAP, TENSIONER CASE .....	2	
8	4DW-12213-00-00	GASKET, TENSIONER CASE ..	2	
9	91314-06025-00	BOLT .....	4	

**FWD**  
1TE110-6020

# CRANKSHAFT - PISTON

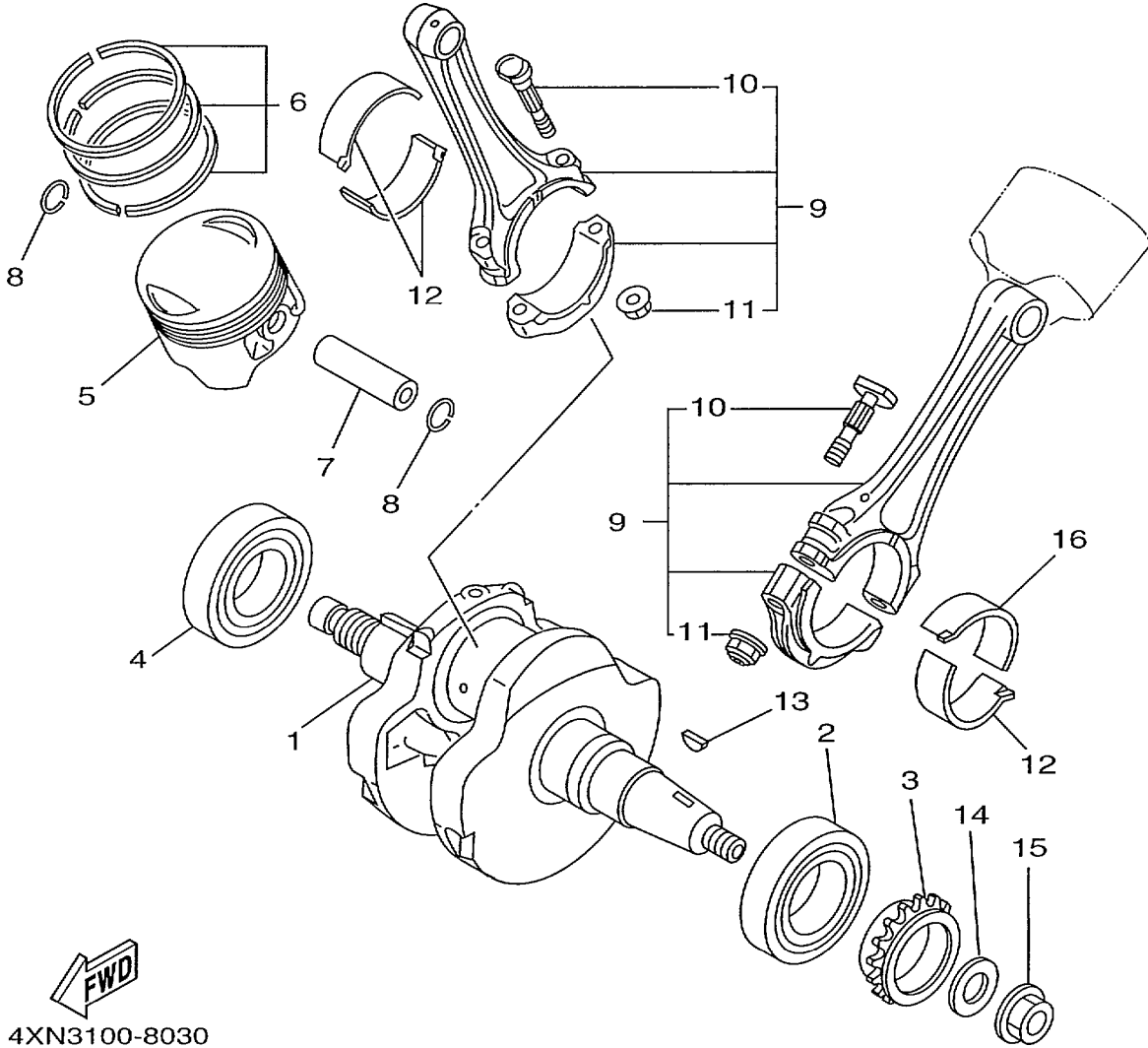


**FWD**  
4XN3100-8030

Ref. No.	Part Number	Description	Qty	Remarks
1	1TA-11411-00-00	CRANKSHAFT .....	1	
2	93306-30808-00	BEARING .....	1	
3	4X7-13354-00-00	SPROCKET, DRIVE .....	1	
4	93306-30808-00	BEARING .....	1	
5	1TA-11631-00-A0	PISTON (STD) .....	2	
	1TA-11636-00-00	PISTON (0.50MM O/S) .....	2	AP
	1TA-11638-00-00	PISTON (1.00MM O/S) .....	2	AP
6	1TA-11610-00-00	PISTON RING SET (STD) .....	2	
	1TA-11610-20-00	PISTON RING SET (0.50MM O/S) .....	2	AP
	1TA-11610-40-00	PISTON RING SET (1.00MM O/S) .....	2	AP
7	5A8-11633-00-00	PIN, PISTON .....	2	
8	93450-24028-00	CIRCLIP .....	4	
9	5A8-11650-00-00	CONNECTING ROD ASSEMBLY	2	
10	4X7-11654-01-00	. BOLT, CONNECTING ROD ..	2	
11	90179-09379-00	. NUT .....	2	
12	4X7-11656-00-00	PLANE BEARING, CONNECTING ROD .....	3	UR BLUE
	4X7-11656-10-00	PLANE BEARING, CONNECTING ROD .....	3	UR BLACK
	4X7-11656-20-00	PLANE BEARING, CONNECTING ROD .....	3	UR BROWN
	4X7-11656-30-00	PLANE BEARING, CONNECTING ROD .....	3	UR GREEN
	4X7-11656-40-00	PLANE BEARING, CONNECTING ROD .....	3	UR YELLOW
13	90280-05048-00	KEY, WOODRUFF .....	1	
14	90201-165H4-00	WASHER, PLATE .....	1	
15	90179-16448-00	NUT .....	1	
16	5G5-11656-00-00	PLANE BEARING, CONNECTING ROD .....	1	UR BLACK

CONTINUED ON NEXT FRAME ►

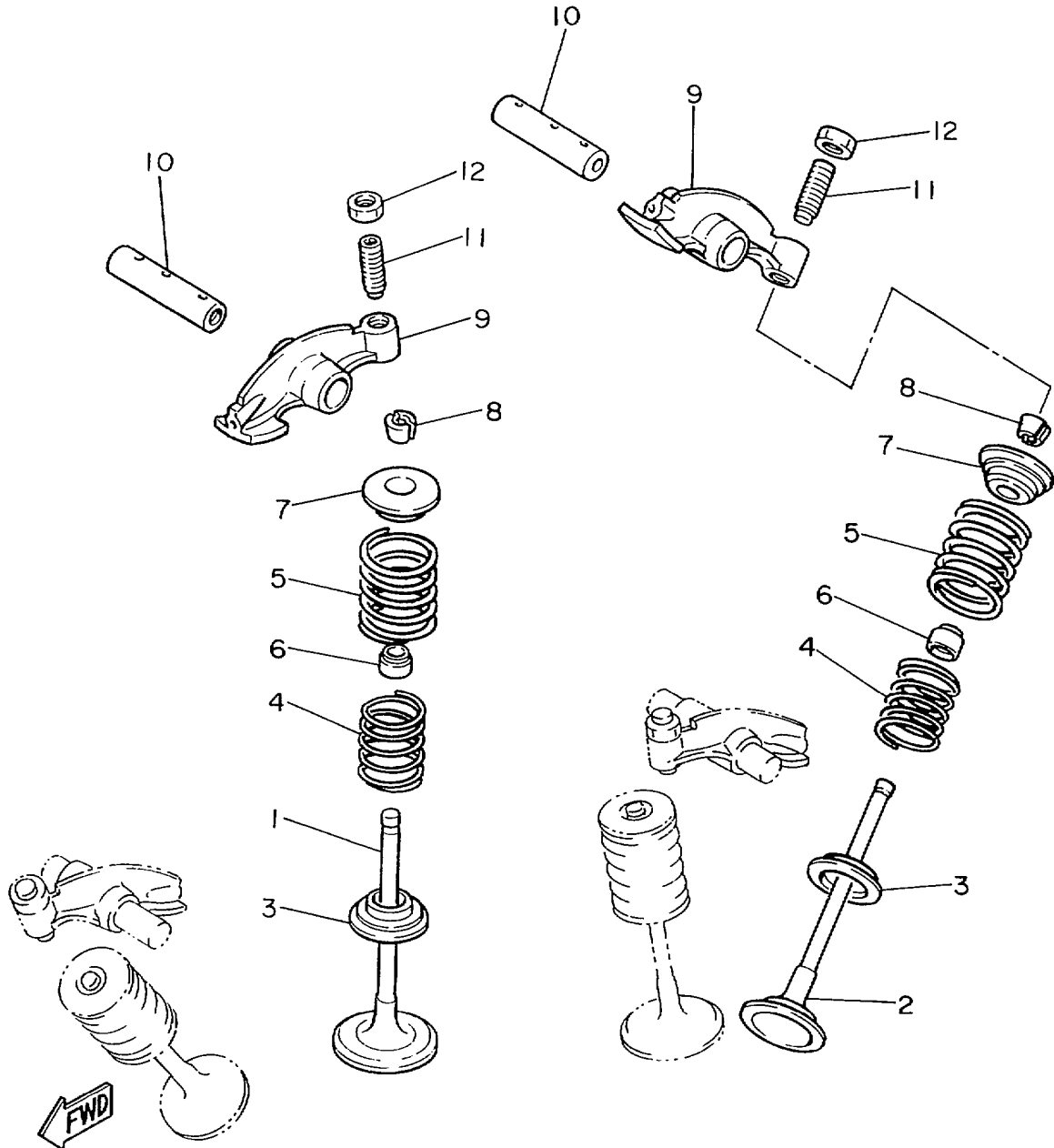
# CRANKSHAFT - PISTON



Ref. No.	Part Number	Description	Qty	Remarks
16	5G5-11656-10-00	PLANE BEARING, CONNECTING ROD .....	1	UR BROWN
	5G5-11656-20-00	PLANE BEARING, CONNECTING ROD .....	1	UR GREEN

 4XN3100-8030

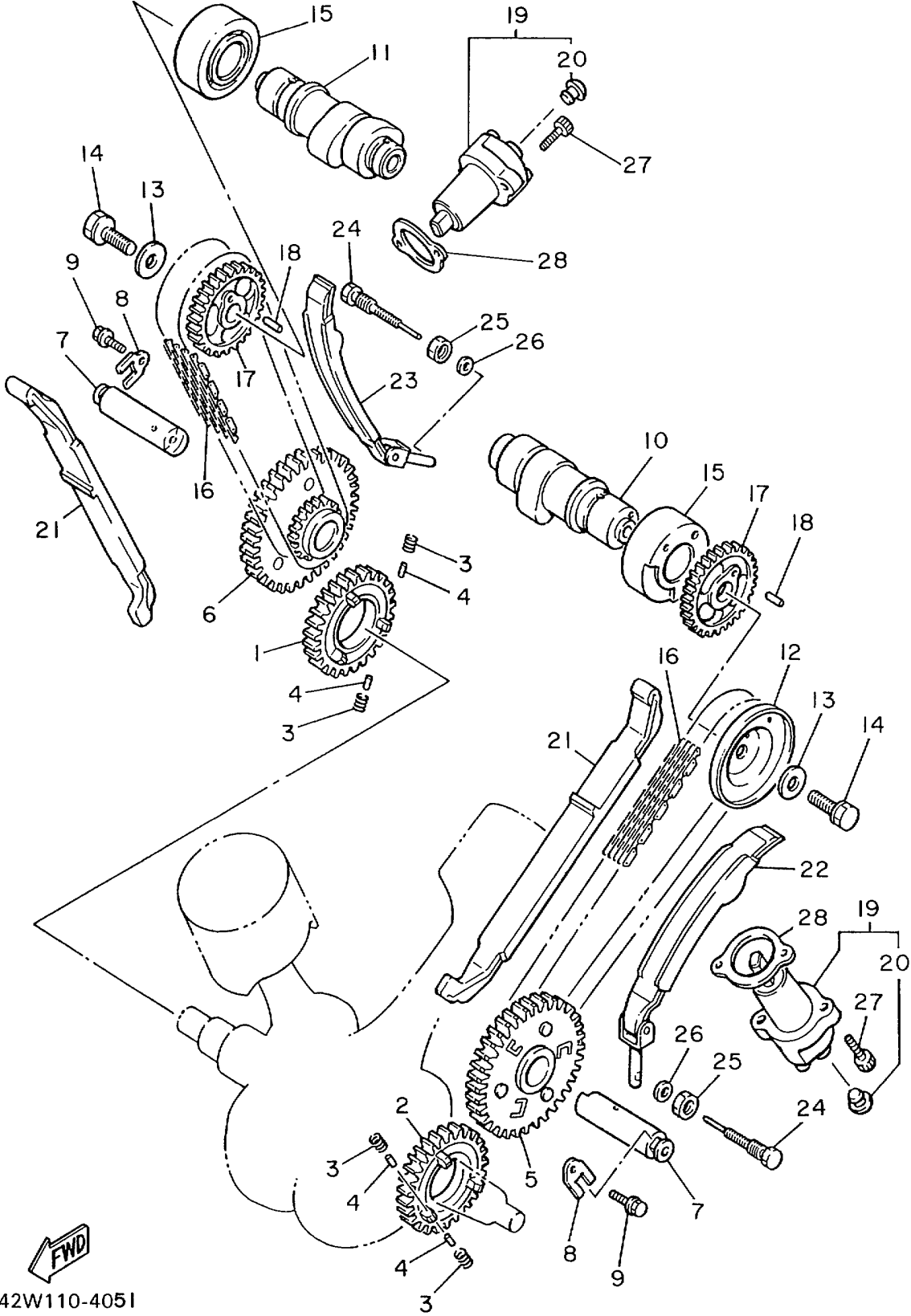
# VALVE



5E3171-1050

Ref. No.	Part Number	Description	Qty	Remarks
1	2J2-12111-01-00	VALVE, INTAKE .....	2	
2	5A8-12121-00-00	VALVE, EXHAUST .....	2	
3	4X7-12116-00-00	SEAT, VALVE SPRING .....	4	
4	1TA-12113-00-00	SPRING, VALVE INNER .....	4	
5	1TA-12114-00-00	SPRING, VALVE OUTER .....	4	
6	341-12119-02-00	SEAL, VALVE STEM .....	4	
7	4X7-12117-00-00	RETAINER, VALVE SPRING ..	4	
8	4X7-12118-00-00	COTTER, VALVE .....	8	
9	42X-12151-00-00	ARM, VALVE ROCKER .....	4	
10	4X7-12156-01-00	SHAFT, ROCKER 2 .....	4	
11	4X7-12159-00-00	SCREW, VALVE ADJUSTING ..	4	
12	90170-08173-00	NUT .....	4	

# CAMSHAFT - CHAIN

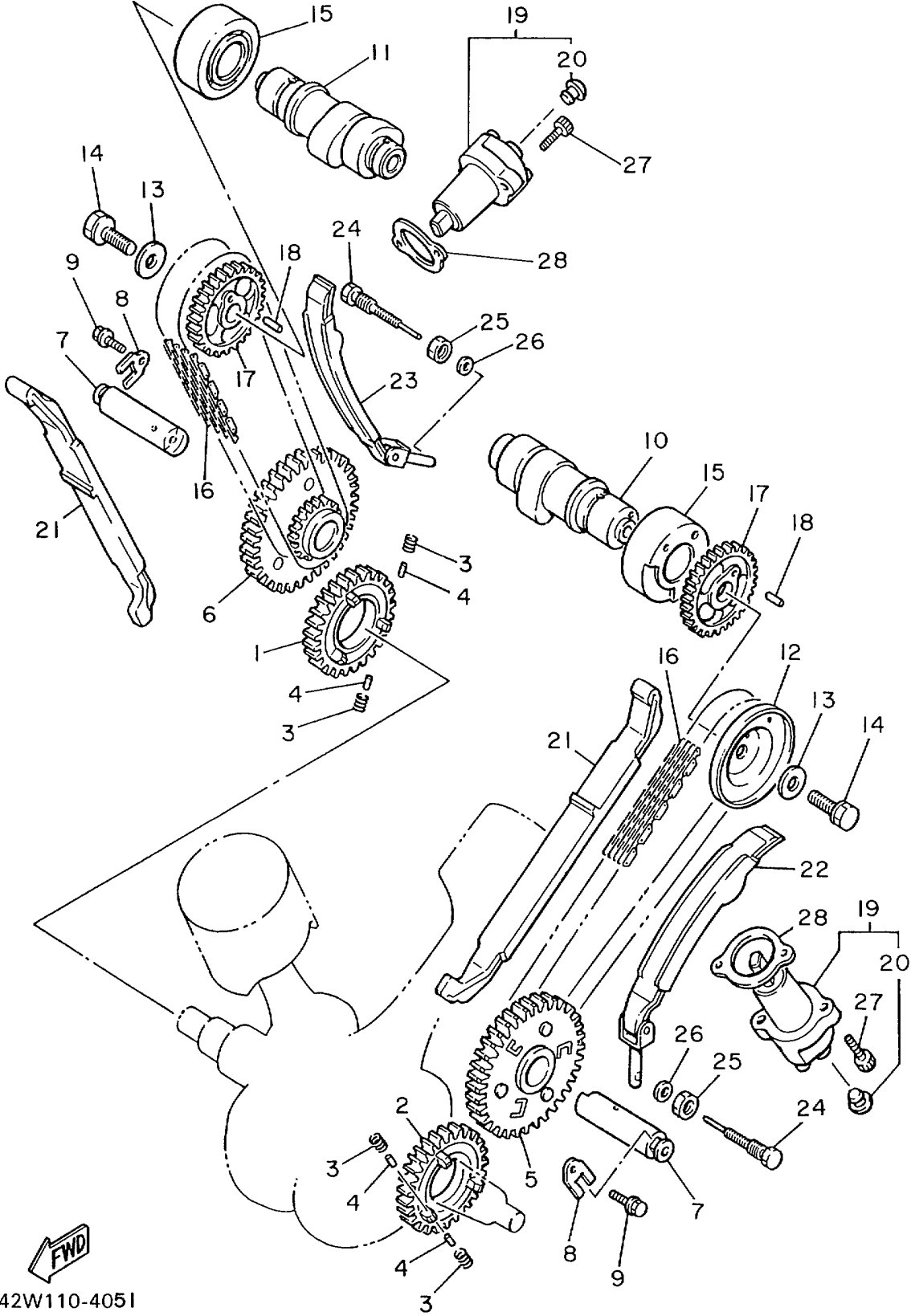


Ref. No.	Part Number	Description	Qty	Remarks
1	4X7-11536-00-00	GEAR, DRIVE (35T)	1	
2	4X7-11534-00-00	GEAR, BREAKER DRIVE (35T)	1	
3	90501-21133-00	SPRING, COMPRESSION	12	
4	93605-10090-00	PIN, DOWEL	12	
5	4X7-11540-02-00	CAM CHAIN SPROCKET ASSEMBLY 1	1	
6	4X7-11550-01-00	CAM CHAIN SPROCKET ASSEMBLY 2	1	
7	4X7-12247-01-00	SHAFT, TENSIONER	2	
8	90209-06205-00	WASHER	2	
9	90105-06154-00	BOLT, WASHER BASED	2	
10	42H-12171-00-00	CAMSHAFT 1	1	
11	42H-12181-00-00	CAMSHAFT 2	1	
12	42X-11145-00-00	PLATE, BREATHER 2	1	
13	90201-10591-00	WASHER, PLATE	2	
14	90101-10303-00	BOLT	2	
15	90380-25125-00	BUSH, SOLID	2	
16	94590-45098-00	CHAIN	2	
17	4X7-12176-00-00	SPROCKET, CAM CHAIN (28T)	2	
18	93604-10011-00	PIN, DOWEL	2	
19	4X7-12210-01-00	TENSIONER ASSEMBLY, CAM CHAIN	2	
20	90338-06121-00	. PLUG	1	
21	4X7-12231-00-00	GUIDE, STOPPER 1	2	
22	4X7-12241-00-00	GUIDE, STOPPER 2	1	
23	4X7-12221-00-00	GUIDE, STOPPER 3	1	
24	90109-08592-00	BOLT	2	
25	95307-08700-00	NUT	2	
26	92907-06600-00	WASHER, PLATE (92906-06600-00)	2	

CONTINUED ON NEXT FRAME ►

42W110-4051

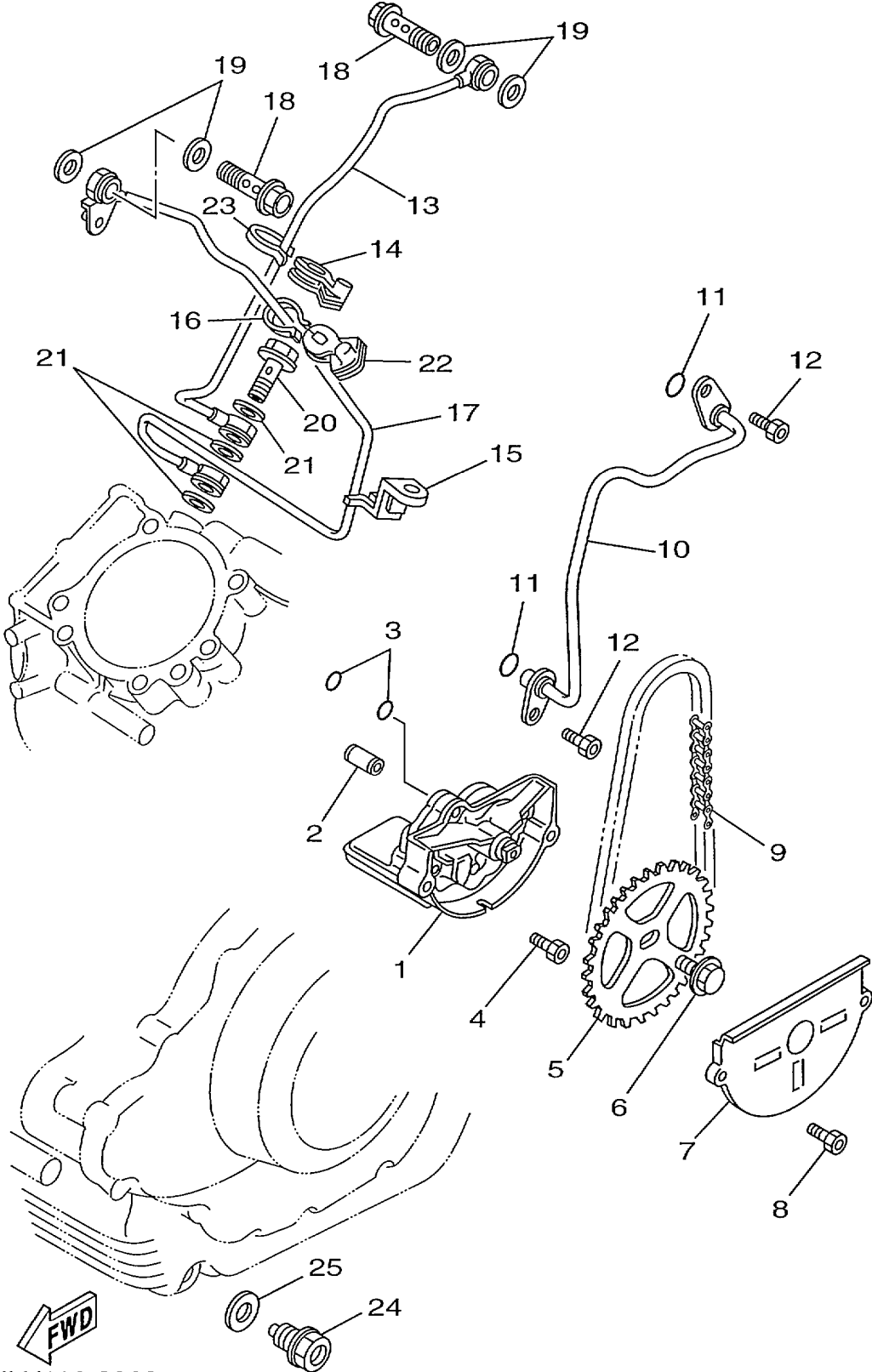
# CAMSHAFT - CHAIN



Ref. No.	Part Number	Description	Qty	Remarks
27	91314-06025-00	BOLT .....	4	
28	4DW-12213-00-00	GASKET, TENSIONER CASE ..	2	

42W110-4051

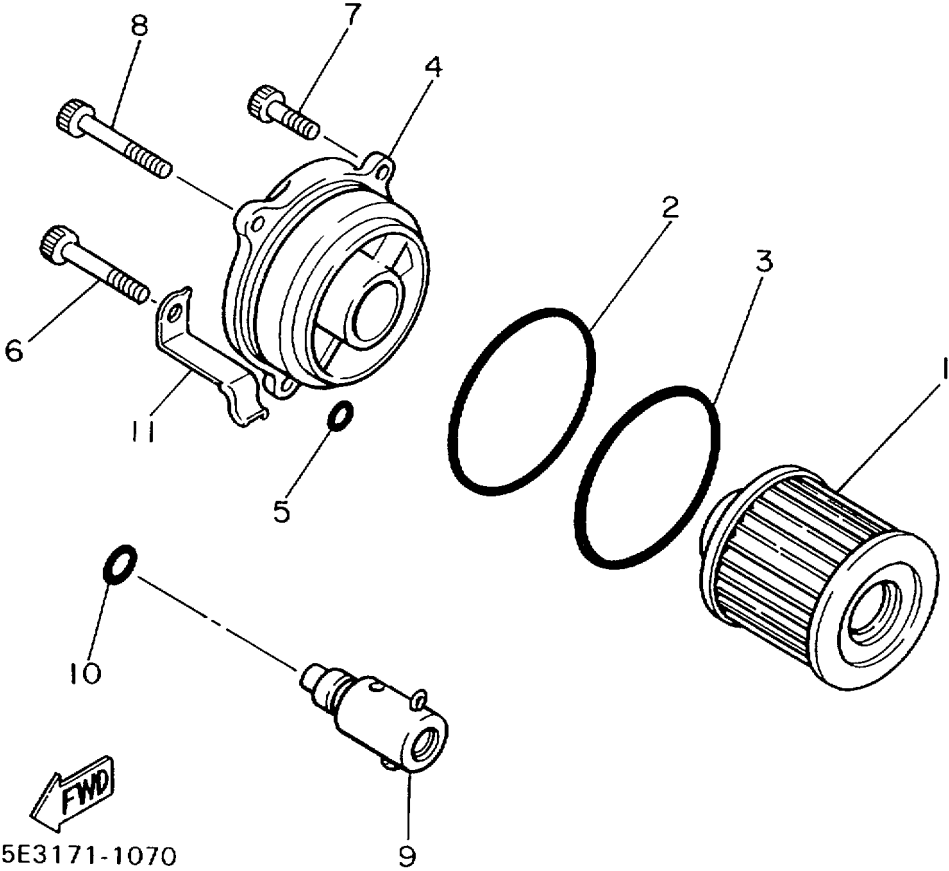
# OIL PUMP



Ref. No.	Part Number	Description	Qty	Remarks
1	10L-13300-00-00	OIL PUMP ASSEMBLY .....	1	
2	99510-08016-00	PIN, DOWEL .....	1	
3	93210-07135-00	O-RING .....	2	
4	91317-06040-00	BOLT .....	3	
5	4X7-13355-00-00	SPROCKET, DRIVEN (35T) ...	1	
6	90105-06154-00	BOLT, WASHER BASED .....	1	
7	10L-13327-00-00	COVER, PUMP GEAR .....	1	
8	91317-06010-00	BOLT .....	2	
9	94580-25066-00	CHAIN .....	1	
10	4X7-13171-00-00	PIPE, DELIVERY 2 .....	1	
11	93210-07135-00	O-RING .....	2	
12	91317-06010-00	BOLT .....	2	
13	4X7-13405-00-00	OIL PIPE COMP. 1 .....	1	
14	4X7-15485-01-00	CLAMP .....	1	
15	4X7-15484-00-00	CLAMP 2 .....	1	
16	90468-05113-00	CLIP .....	1	
17	1RM-13406-00-00	OIL PIPE COMP. 2 .....	1	
18	90401-16067-00	BOLT, UNION .....	2	
19	90430-17168-00	GASKET .....	4	
20	90401-10102-00	BOLT, UNION .....	1	
21	90430-15169-00	GASKET .....	3	
22	4X7-15485-01-00	CLAMP .....	1	
23	90468-05113-00	CLIP .....	1	
24	90340-14135-00	PLUG, STRAIGHT SCREW .....	1	
25	214-11198-01-00	GASKET .....	1	

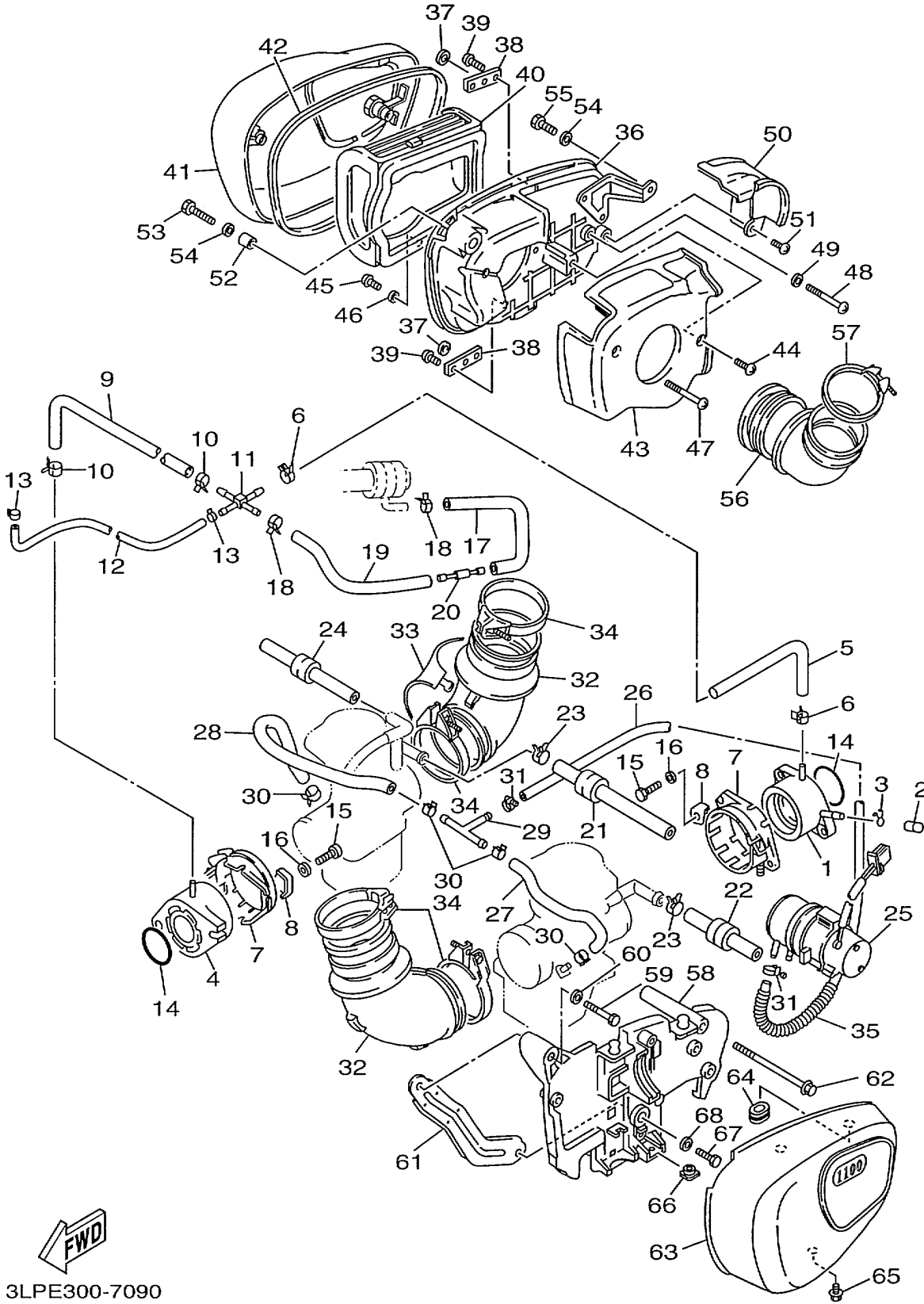
3JLV100-8060

# OIL CLEANER



Ref. No.	Part Number	Description	Qty	Remarks
1	4X7-13440-01-00	ELEMENT ASSEMBLY, OIL CLEANER .....	1	
2	93210-56459-00	O-RING .....	1	
3	93210-54452-00	O-RING .....	1	
4	1RM-13447-00-00	COVER, OIL ELEMENT .....	1	
5	93210-07135-00	O-RING .....	1	
6	90109-06667-00	BOLT .....	1	
7	91314-06020-00	BOLT .....	1	
8	91314-06050-00	BOLT .....	1	
9	4G0-13490-01-00	RELIEF VALVE ASSEMBLY ...	1	
10	93210-10096-00	O-RING .....	1	
11	90462-10098-00	CLAMP .....	1	

# INTAKE

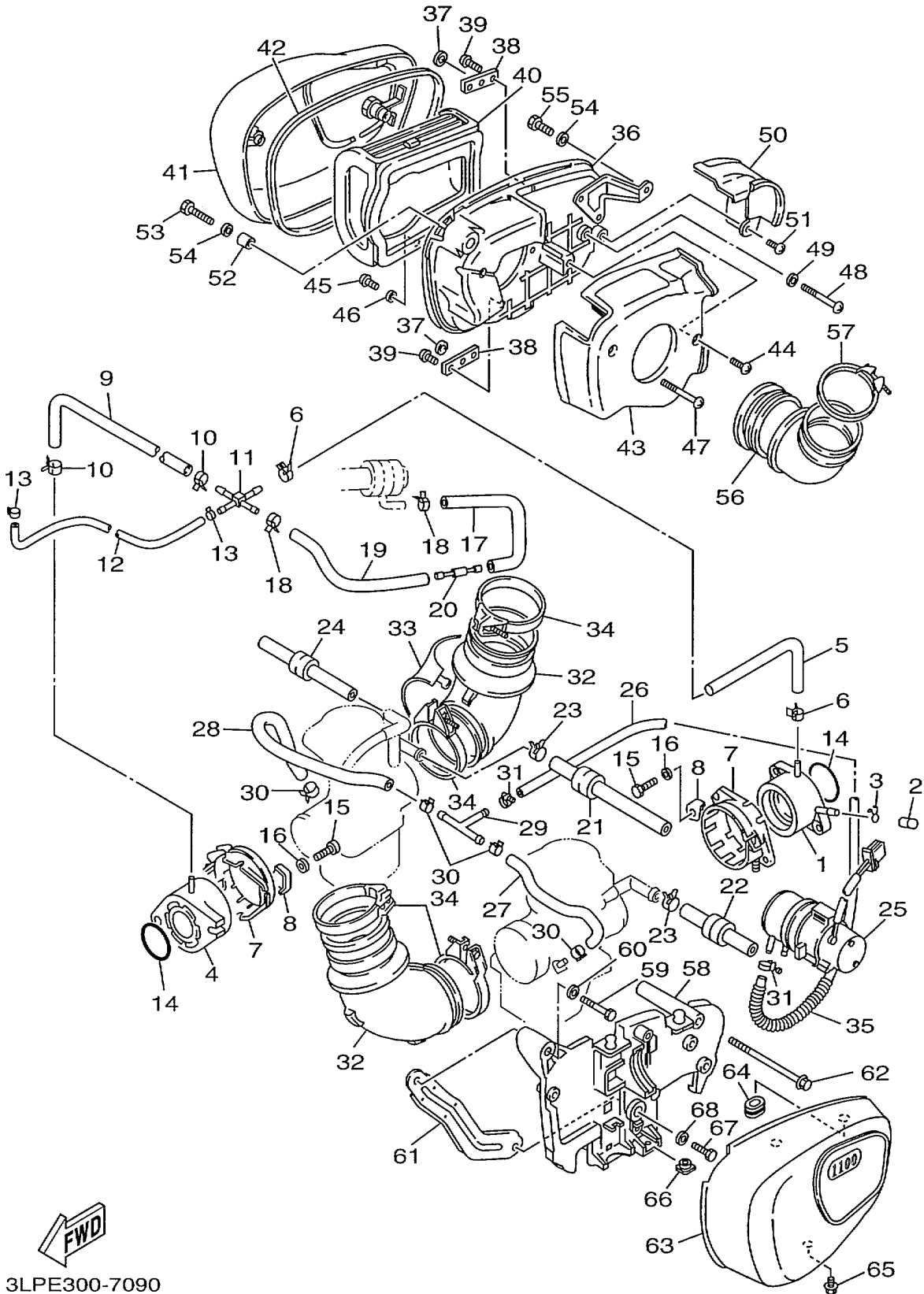


Ref. No.	Part Number	Description	Qty	Remarks
1	1TA-13586-00-00	JOINT, CARBURETOR 1	1	
2	16G-13569-00-00	PLUG, BLIND	1	
3	90467-10035-00	CLIP	1	
4	24M-13586-01-00	JOINT, CARBURETOR 1	1	
5	3CG-13542-00-00	HOSE, VACUUM SENSING 1	1	
6	90467-08092-00	CLIP	2	
7	42X-13564-01-00	COVER, MANIFOLD	2	
8	42X-13578-00-00	WASHER	2	
9	42X-13544-00-00	HOSE, VACUUM SENSING 2	1	
10	90467-08092-00	CLIP	2	
11	1TA-13595-00-00	JOINT	1	
12	42H-13532-00-00	HOSE, VACUUM SENSING 3	1	
13	90467-07093-00	CLIP	2	
14	93210-44545-00	O-RING	2	
15	97027-06020-00	BOLT	4	
16	92907-06600-00	WASHER, PLATE (92906-06600-00)	4	
17	1TA-13534-00-00	HOSE, VACUUM SENSING 5	1	
18	90467-08092-00	CLIP	2	
19	1TA-13535-00-00	HOSE, VACUUM SENSING 5	1	
20	41R-14489-00-00	NOZZLE	1	
21	3CG-14197-00-00	PIPE	1	
22	3CG-14987-00-00	HOSE	1	
23	90467-14057-00	CLIP	2	
24	3CG-14396-00-00	PIPE	1	
25	42H-13907-00-00	FUEL PUMP COMP.	1	
26	42H-13971-00-00	PIPE, FUEL 1	1	
27	1TA-14349-00-00	PIPE	1	
28	1TA-14348-00-00	PIPE 1	1	

CONTINUED ON NEXT FRAME ►

**FWD**  
3LPE300-7090

# INTAKE



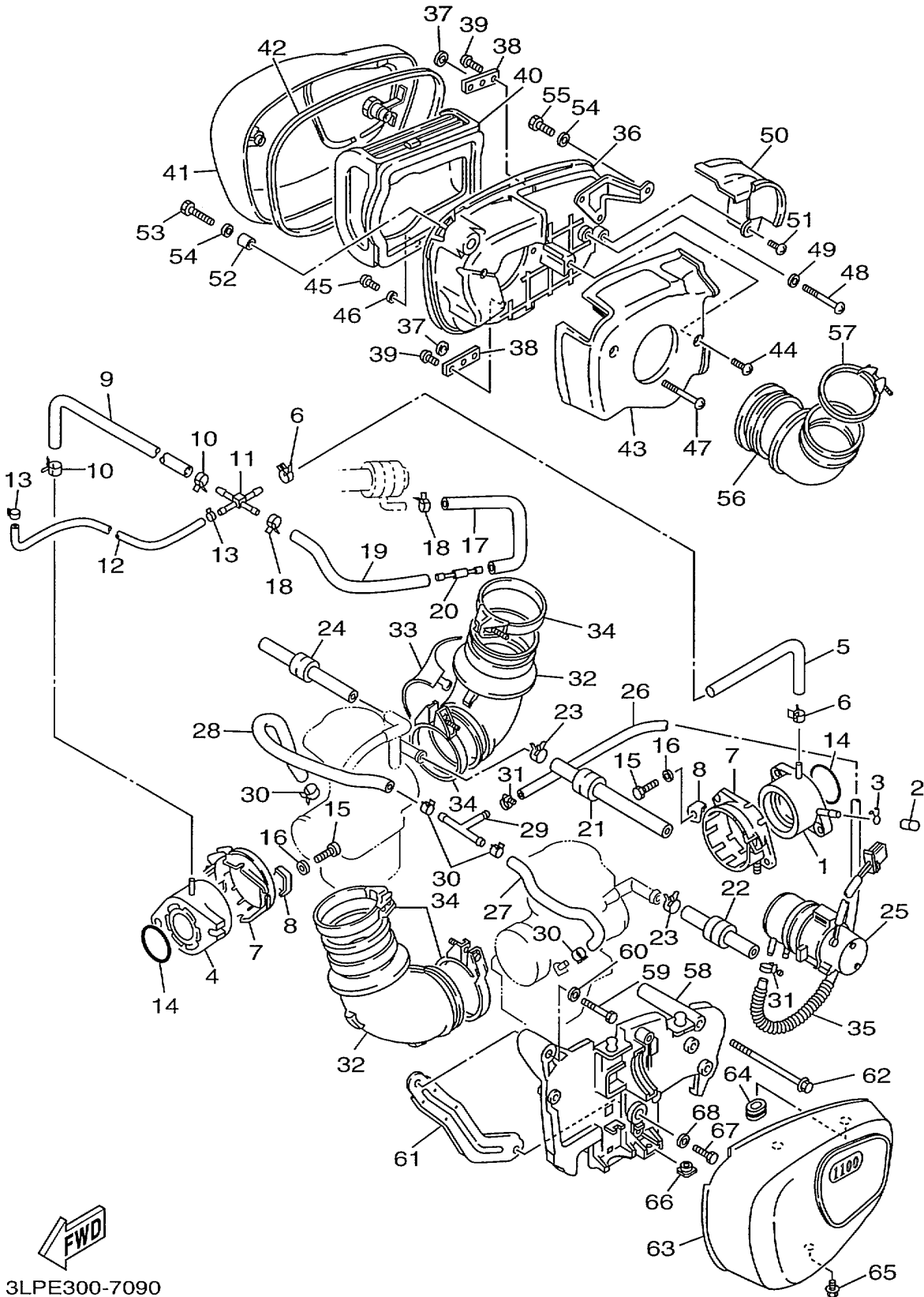
Ref. No.	Part Number	Description	Qty	Remarks
29	90413-07023-00	WAY 3 .....	1	
30	90467-10135-00	CLIP .....	4	
31	90460-12256-00	CLAMP, HOSE .....	2	
32	10L-14453-01-00	JOINT, AIR CLEANER 1 .....	2	
33	10L-14407-00-00	COVER, JOINT .....	1	
34	90460-65169-00	CLAMP, HOSE .....	4	
35	90501-100F8-00	SPRING, COMPRESSION .....	1	
36	42X-14401-01-00	AIR CLEANER CASE ASSEMBLY .....	1	
37	92907-04600-00	WASHER, PLATE .....	2	
38	42X-14477-00-00	PLATE .....	2	
39	97707-40112-00	SCREW, TAPPING .....	4	
40	42X-14451-00-00	ELEMENT, AIR CLEANER .....	1	
41	1TA-14422-00-00	CAP, CLEANER CASE 2 .....	1	
42	42X-14452-00-00	SEAL .....	1	
43	1TA-1441A-00-00	COVER, CLEANER CASE 1 ...	1	
44	97707-50508-00	SCREW, TAPPING .....	1	
45	98507-05012-00	SCREW, PAN HEAD .....	1	
46	92907-05600-00	WASHER, PLATE .....	1	
47	98507-06080-00	SCREW, PAN HEAD .....	1	
48	98507-06050-00	SCREW, PAN HEAD .....	1	
49	92907-06600-00	WASHER, PLATE (92906-06600-00) .....	1	
50	1TA-1441E-00-00	COVER, CLEANER CASE 2 ...	1	
51	97707-50508-00	SCREW, TAPPING .....	1	
52	90387-07598-00	COLLAR .....	1	
53	91317-06030-00	BOLT .....	1	
54	92907-06200-00	WASHER .....	2	
55	91317-06012-00	BOLT .....	1	

CONTINUED ON NEXT FRAME ►



3LPE300-7090

# INTAKE

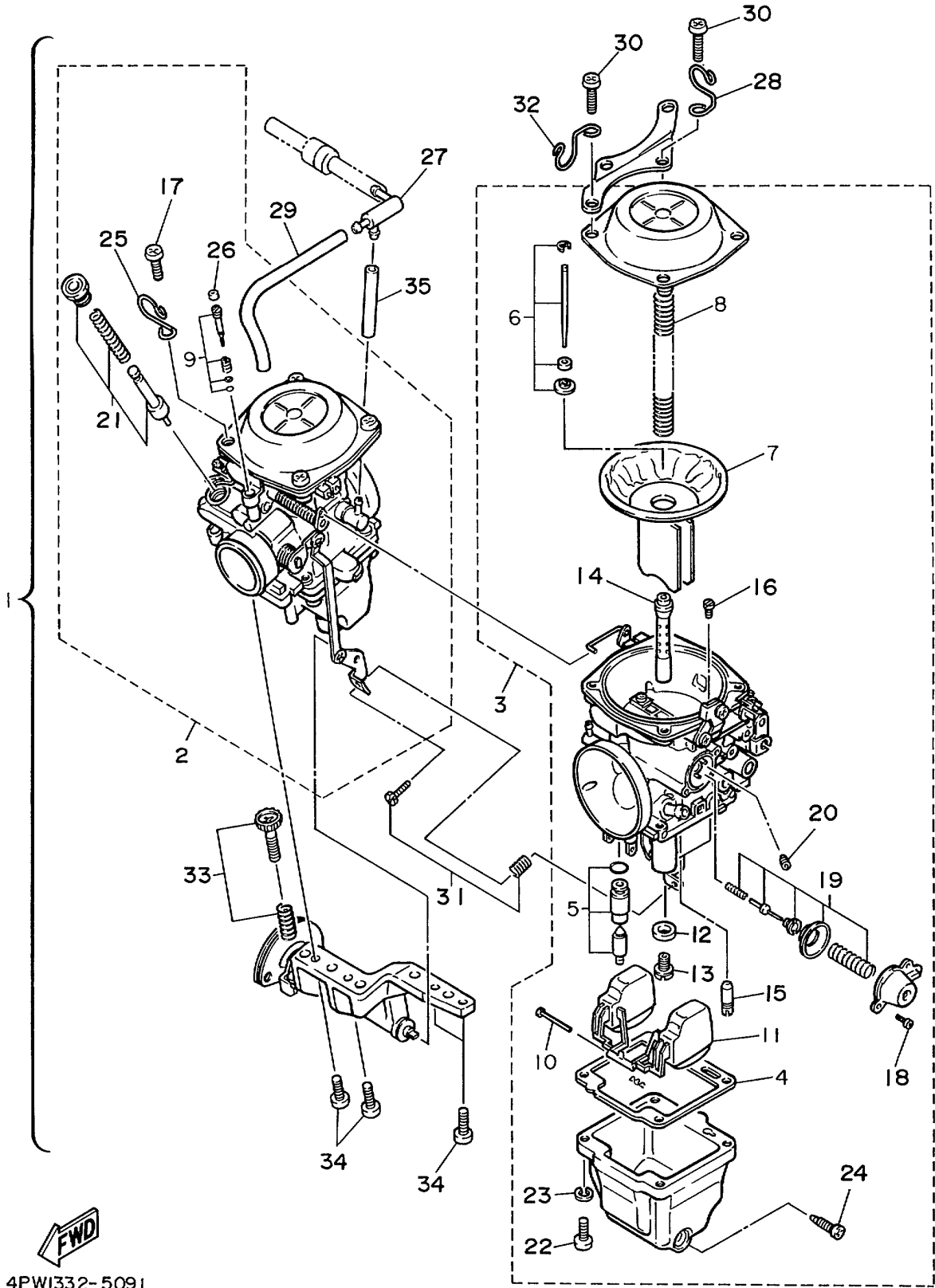


Ref. No.	Part Number	Description	Qty	Remarks
56	42X-14485-00-00	PIPE, JOINT .....	1	
57	90460-65169-00	CLAMP, HOSE .....	1	
58	42X-14663-02-00	PLATE, AIR CLEANER .....	1	
59	91317-06090-00	BOLT .....	1	
60	92907-06200-00	WASHER .....	1	
61	42X-14484-00-00	PLATE, CLEANER CASE FITTING .....	1	
62	95807-06025-00	BOLT, FLANGE .....	1	
63	1TA-14603-00-00	COVER 1 .....	1	
64	90480-14074-00	GROMMET .....	2	
65	95807-06014-00	BOLT, FLANGE .....	1	
66	12R-14484-01-00	PLATE, CLEANER CASE FITTING .....	1	
67	91317-06035-00	BOLT .....	1	
68	92907-06200-00	WASHER .....	1	



3LPE300-7090

# CARBURETOR



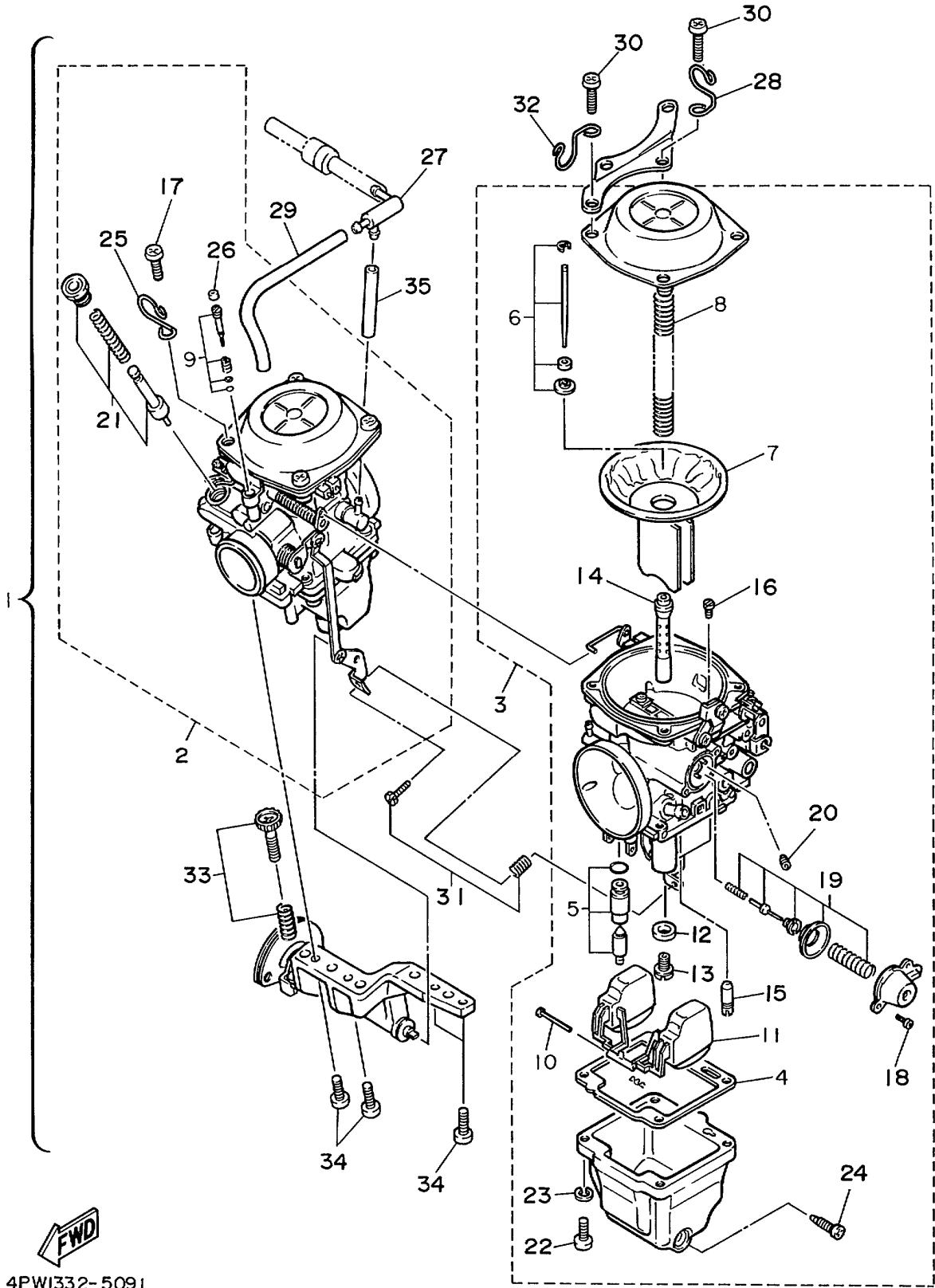
Ref. No.	Part Number	Description	Qty	Remarks
1	3CF-14900-01-00	CARBURETOR ASSEMBLY ...	1	
	3CG-14900-01-00	CARBURETOR ASSEMBLY ...	1	
2	3CF-14901-01-00	. CARBURETOR ASSEMBLY 1	1	
	3CG-14901-01-00	. CARBURETOR ASSEMBLY 1	1	
3	3CF-14902-01-00	. CARBURETOR ASSEMBLY 2	1	
	3CG-14902-01-00	. CARBURETOR ASSEMBLY 2	1	
4	3CF-14984-01-00	.. GASKET, FLOAT CHAMBER	1	
5	3CF-14107-15-00	.. NEEDLE VALVE SET .....	1	
6	3CF-1490J-00-00	.. NEEDLE SET .....	1	
7	3CF-14940-00-00	.. DIAPHRAGM ASSEMBLY ..	1	
8	3CF-14933-00-00	.. SPRING, DIAPHRAGM .....	1	
9	12R-14105-00-00	.. PILOT SCREW SET .....	1	
10	537-14186-00-00	.. PIN, FLOAT .....	1	
11	2VA-14185-00-00	.. FLOAT .....	1	
12	137-14153-00-00	.. WASHER, MAIN JET .....	1	
13	620-14231-25-00	.. JET, MAIN (#125) .....	1	UR #2
	620-1423A-75-00	.. JET, MAIN (#122.5) .....	1	UR #1
14	3CF-14141-93-00	.. NOZZLE, MAIN .....	1	
15	4G0-14142-40-00	.. JET, PILOT (# 40) .....	1	
16	3G2-14231-12-00	.. JET, POWER (# 60) .....	1	
17	98507-05010-00	.. SCREW, PAN HEAD .....	4	
18	98507-04008-00	.. SCREW, PAN HEAD .....	2	
19	3CF-1490H-00-00	.. DIAPHRAGM SET 5 .....	1	
20	1HX-14231-28-00	.. JET, MAIN (#140) .....	1	
21	3CF-1410A-00-00	.. STARTER SET .....	1	
22	98502-05016-00	.. SCREW, PAN HEAD .....	4	
23	92902-05100-00	.. WASHER, SPRING .....	4	
24	12R-14191-00-00	.. PLUG, DRAIN .....	1	
25	2JU-14937-00-00	.. CLIP .....	1	

CONTINUED ON NEXT FRAME ➤

FWD  
4PW1332- 5091

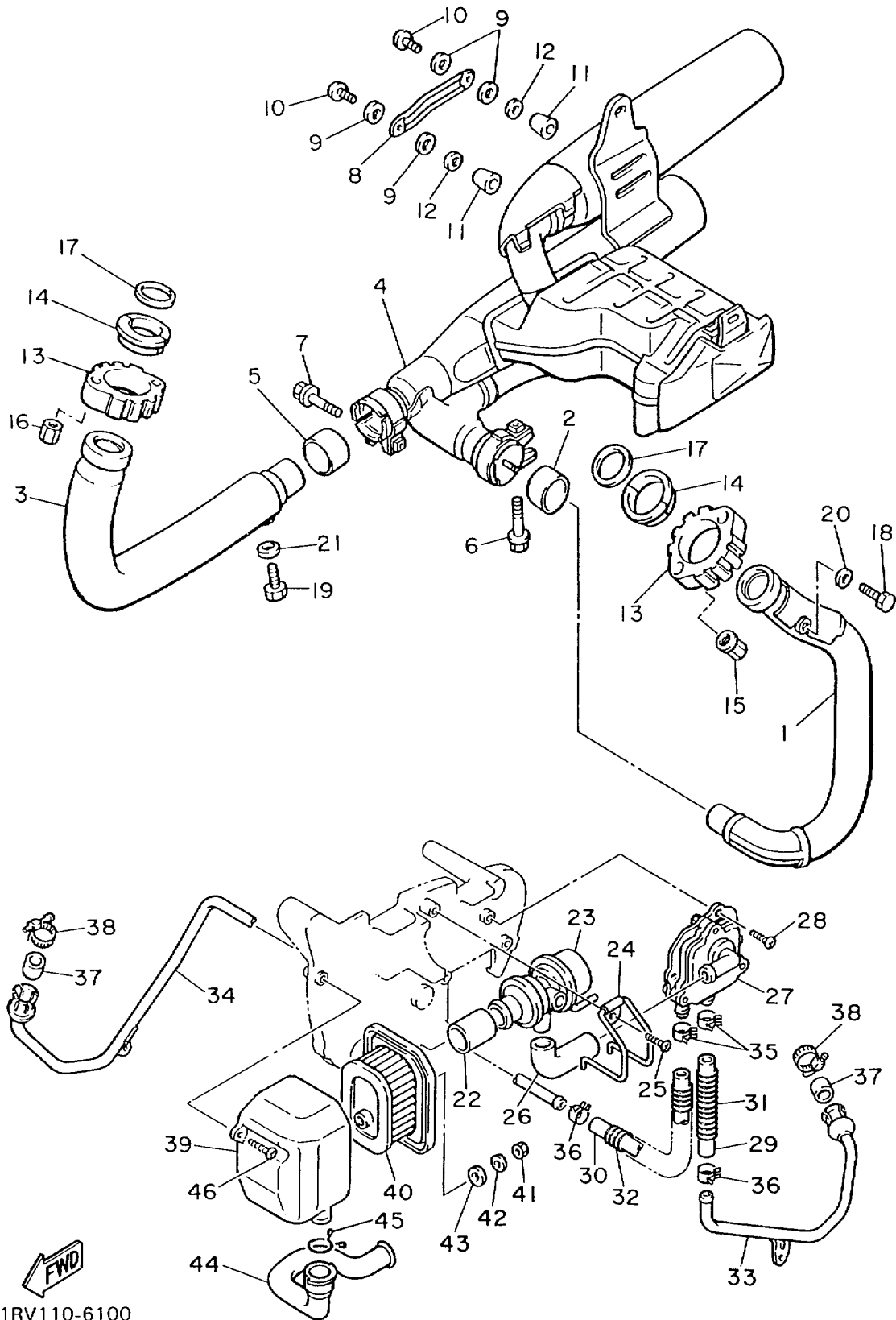
# CARBURETOR

Ref. No.	Part Number	Description	Qty	Remarks
26	3F9-14118-00-00	. . CAP	1	
27	3CF-14251-00-00	. NIPPLE	1	
28	3CF-14937-00-00	. CLIP	1	
29	3CG-14197-00-00	. PIPE	1	
30	98507-05012-00	. SCREW, PAN HEAD	4	
31	3CF-1490K-00-00	. STOP SCREW SET	1	
32	3CF-14919-00-00	. CLIP	1	
33	3CF-14103-01-00	. THROTTLE SCREW SET	1	
34	98507-05014-00	. SCREW, PAN HEAD	4	
35	3CF-14197-00-00	. PIPE	1	



FWD  
4PWI332- 5091

# EXHAUST



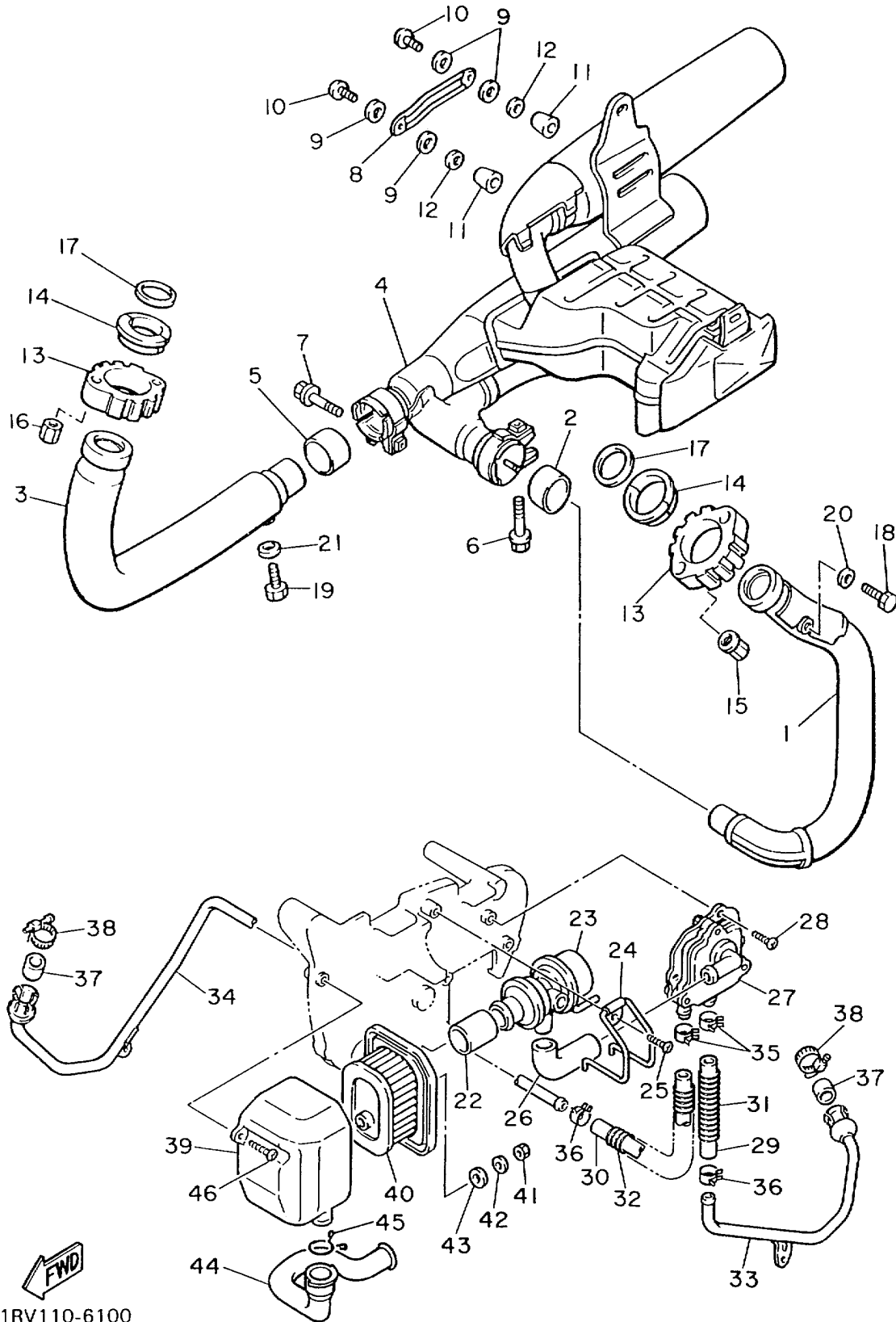
Ref. No.	Part Number	Description	Qty	Remarks
1	42H-14611-00-00	PIPE, EXHAUST 1 .....	1	
2	3EG-14714-00-00	GASKET, MUFFLER .....	1	
3	1TA-14621-00-00	PIPE, EXHAUST 2 .....	1	
4	1TA-14711-00-00	MUFFLER 1 .....	1	
5	3YF-14755-00-00	GASKET, SILENCER .....	1	
6	95027-08045-00	BOLT, FLANGE .....	1	
7	95027-08045-00	BOLT, FLANGE .....	1	
8	42X-14748-01-00	PROTECTOR, MUFFLER 4 ....	1	
9	4BD-14766-00-00	WASHER, PROTECTOR .....	4	
10	98904-06010-00	SCREW, BIND .....	2	
11	42X-1479H-00-00	COVER, 1 .....	2	
12	92907-06200-00	WASHER .....	2	
13	57A-14612-01-00	NUT, RING .....	2	
14	42X-1468A-00-00	RING, SILENCER 1 .....	2	
15	90179-08210-00	NUT .....	2	
16	90179-08673-00	NUT .....	2	
17	3EG-14613-00-00	GASKET, EXHAUST PIPE ....	2	
18	90101-06576-00	BOLT .....	1	
19	90101-06576-00	BOLT .....	1	
20	92990-06600-00	WASHER, PLATE .....	1	
21	92990-06600-00	WASHER, PLATE .....	1	
22	42H-14882-00-00	HOSE, BEND 2 .....	1	
23	1TA-14840-00-00	AIR CUT VALVE ASS'Y .....	1	
24	90462-20188-00	CLAMP .....	1	
25	97707-60114-00	SCREW, TAPPING .....	1	
26	42H-14883-00-00	HOSE, BEND 3 .....	1	
27	42H-14808-00-00	REED VALVE ASSEMBLY ....	1	
28	97707-60114-00	SCREW, TAPPING .....	3	
29	42H-14884-00-00	HOSE, BEND 4 .....	1	

CONTINUED ON NEXT FRAME ►

1RV110-6100

XV1100L\_LC

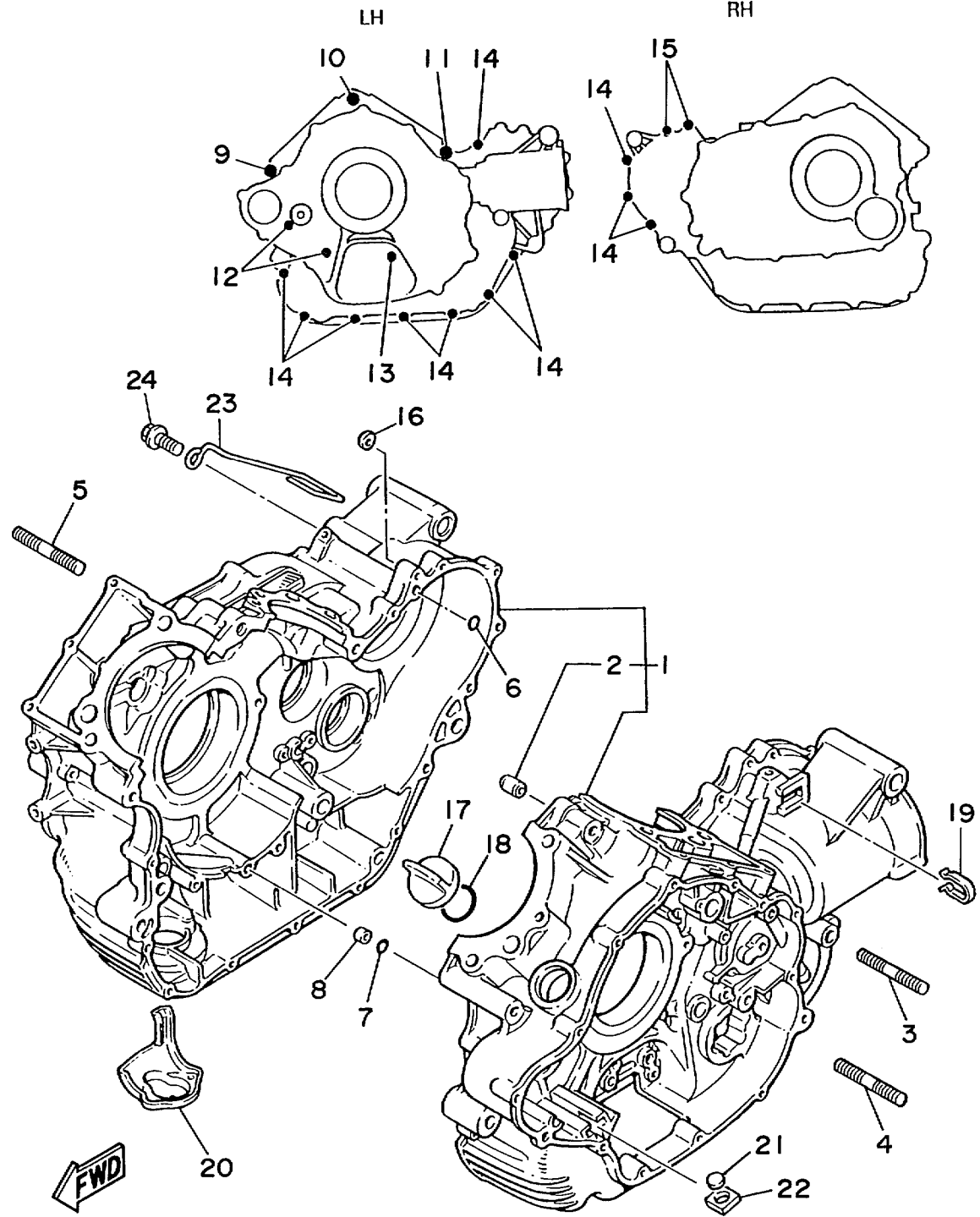
# EXHAUST



Ref. No.	Part Number	Description	Qty	Remarks
30	42H-14885-00-00	HOSE, BEND 5	1	
31	90501-101J3-00	SPRING, COMPRESSION	1	
32	90501-101J4-00	SPRING, COMPRESSION	1	
33	42H-14871-01-00	PIPE 1	1	
34	42H-14872-02-00	PIPE 2	1	
35	90468-08104-00	CLIP	2	
36	90467-16098-00	CLIP	2	
37	42H-14714-10-00	GASKET, MUFFLER	2	
38	90460-15227-00	CLAMP, HOSE	2	
39	42H-14857-00-00	CASE, AIR CLEANER	1	
40	42H-14858-00-00	CAP, CASE	1	
41	95307-05600-00	NUT	1	
42	92907-05200-00	WASHER	1	
43	90202-05057-00	WASHER, PLATE	1	
44	1TA-14881-00-00	HOSE, BEND 1	1	
45	90467-22080-00	CLIP	1	
46	97707-60114-00	SCREW, TAPPING	1	

1RV110-6100

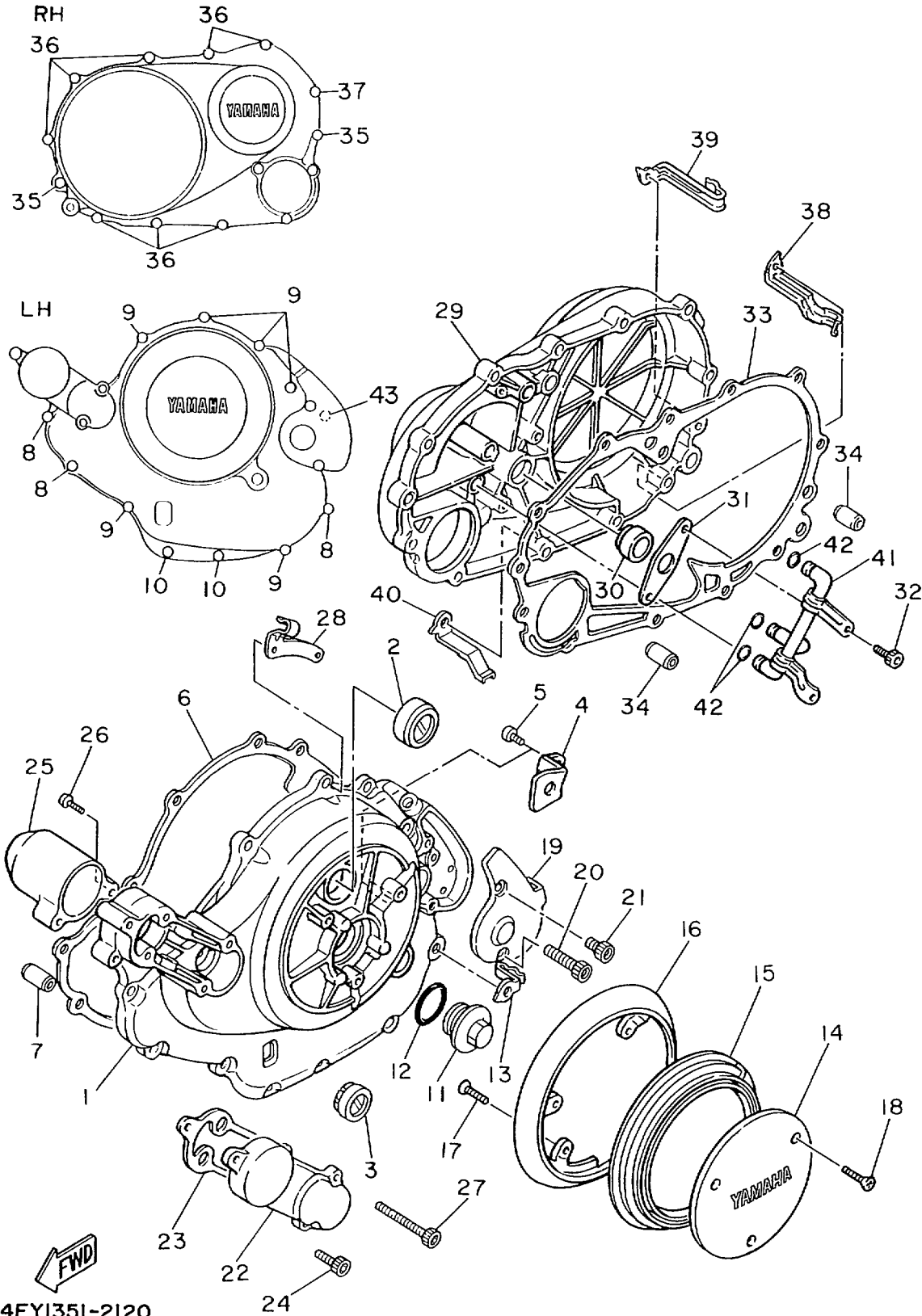
# CRANKCASE



Ref. No.	Part Number	Description	Qty	Remarks
1	42H-15100-01-00	CRANKCASE ASSEMBLY	1	
2	99530-14016-00	. PIN, DOWEL	3	
3	95617-10620-00	BOLT, STUD	1	
4	95617-10620-00	BOLT, STUD	1	
5	95617-10670-00	BOLT, STUD	1	
6	93210-07135-00	O-RING	1	
7	93210-07135-00	O-RING	1	
8	90387-064E8-00	COLLAR	1	
9	91317-10100-00	BOLT	1	
10	91317-10070-00	BOLT	1	
11	91317-10060-00	BOLT	1	
12	91317-06080-00	BOLT	2	
13	91317-06055-00	BOLT	1	
14	91317-06030-00	BOLT	11	
15	91314-06030-00	BOLT	2	
16	90430-06014-00	GASKET	1	
17	57A-15363-11-00	PLUG, OIL	1	
18	93210-29198-00	O-RING	1	
19	90465-10168-00	CLAMP	1	
20	4X7-15491-00-00	PROTECTOR	1	
21	4X7-13419-00-00	PLUG	1	
22	90480-20302-00	GROMMET	1	
23	42X-21164-00-00	HOLDER, CABLE	1	
24	90105-10275-00	BOLT, WASHER BASED	1	

3LP7300-4110

# CRANKCASE COVER 1

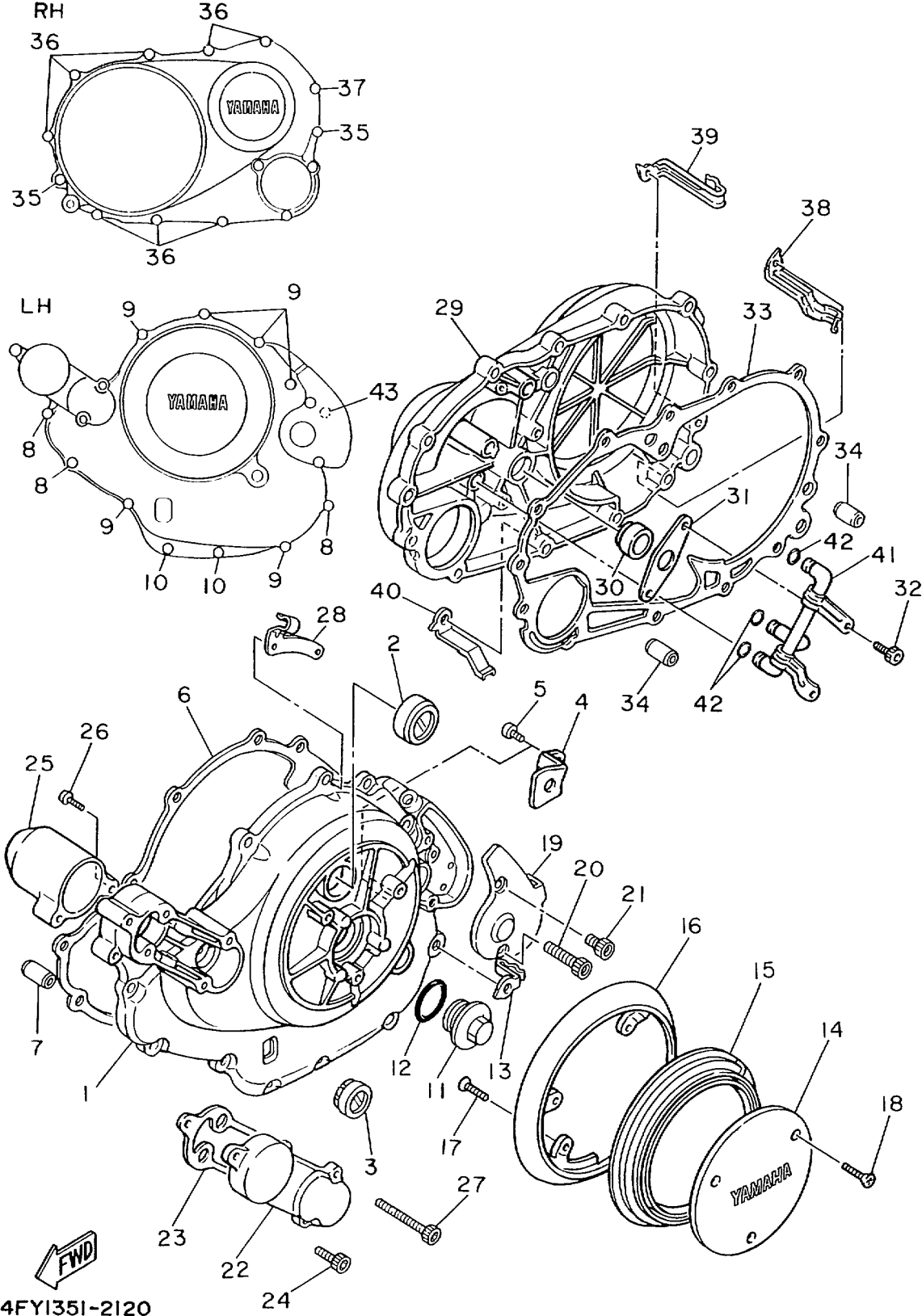


Ref. No.	Part Number	Description	Qty	Remarks
1	1RM-15411-01-00	COVER, CRANKCASE 1	1	
2	4X7-15361-00-00	GAUGE, LEVEL	1	
3	2H7-15361-00-00	GAUGE, LEVEL	1	
4	90465-08309-00	CLAMP	1	
5	98507-06010-00	SCREW, PAN HEAD	1	
6	3EG-15451-00-00	GASKET, CRANKCASE COVER 1	1	
7	99530-10014-00	PIN, DOWEL	2	
8	91314-06040-00	BOLT	3	
9	91314-06030-00	BOLT	6	
10	91314-06020-00	BOLT	2	
11	1L9-11186-00-00	COVER, CYLINDER HEAD SIDE 2	1	
12	93210-32172-00	O-RING	1	
13	90462-08076-00	CLAMP	1	
14	1RM-15415-01-00	COVER, GENERATOR	1	
15	1RM-15455-00-00	GASKET 1	1	
16	3JK-15425-00-00	COVER, GENERATOR 2	1	
17	98704-06016-00	SCREW, FLAT HEAD	3	
18	98707-06014-00	SCREW, FLAT HEAD	3	
19	42X-15417-01-00	COVER, CAP	1	
20	91314-06055-00	BOLT	1	
21	91314-06016-00	BOLT	1	
22	1RM-15419-00-00	COVER, SHIFTER 1	1	
23	3EG-15459-00-00	GASKET, SHIFTER COVER	1	
24	91314-06016-00	BOLT	2	
25	5A8-15429-00-00	COVER, SHIFTER	1	
26	98507-06030-00	SCREW, PAN HEAD	2	
27	91314-06065-00	BOLT	1	

CONTINUED ON NEXT FRAME ►

4FY1351-2120

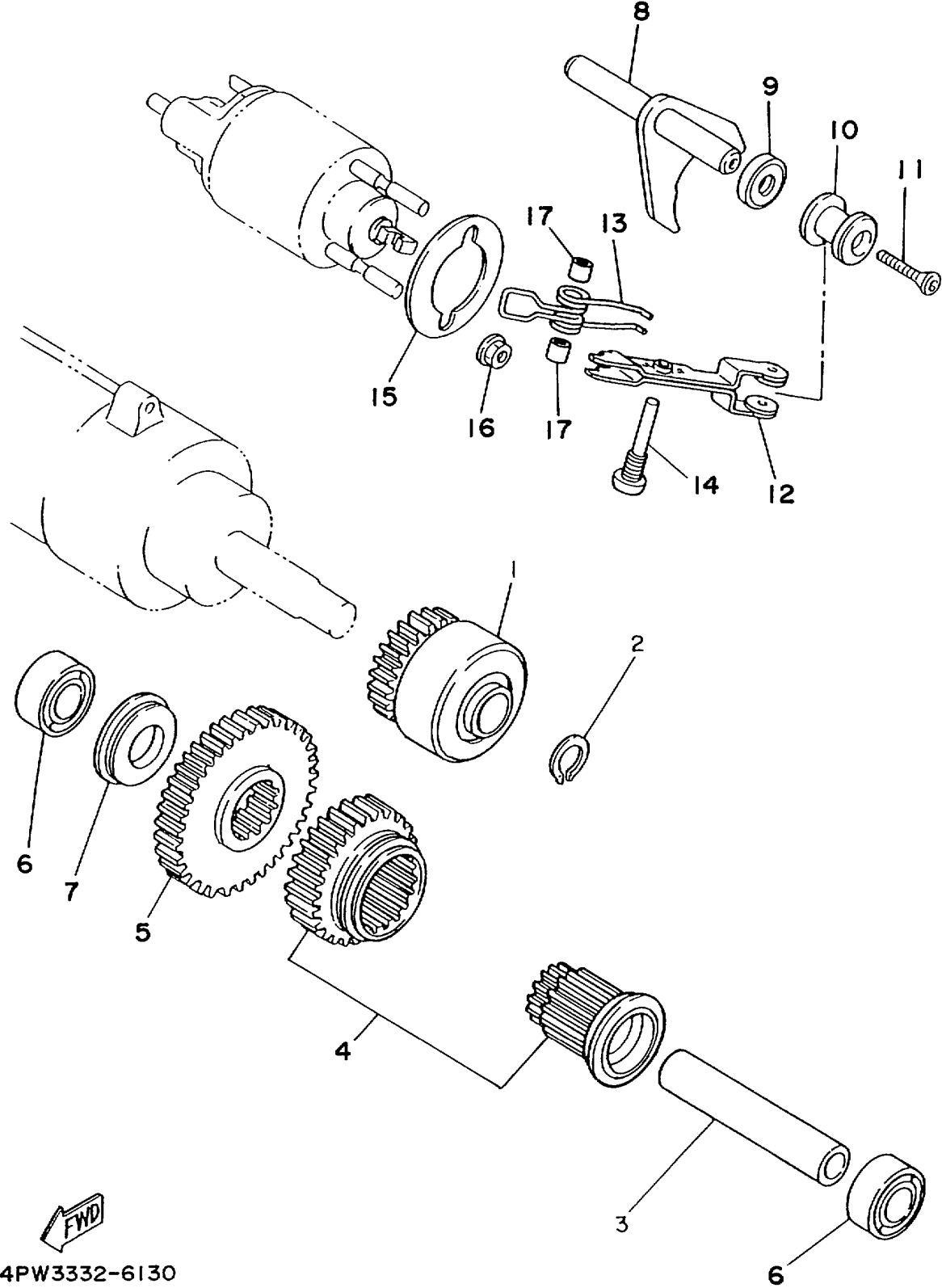
# CRANKCASE COVER 1



Ref. No.	Part Number	Description	Qty	Remarks
28	42X-15441-00-00	HOLDER, CLUTCH CABLE ...	1	
29	1RM-W1542-01-00	COVER, CRANKCASE 3 .....	1	
30	93101-14102-00	OIL SEAL .....	1	
31	4X7-15388-00-00	PLATE, BEARING COVER ....	1	
32	91317-06016-00	BOLT .....	2	
33	3EG-15462-00-00	GASKET, CRANKCASE COVER 3 .....	1	
34	99530-10120-00	PIN, DOWEL .....	2	
35	91314-06040-00	BOLT .....	2	
36	91314-06025-00	BOLT .....	8	
37	91380-06030-00	BOLT .....	1	
38	90462-10143-00	CLAMP .....	1	
39	90462-10085-00	CLAMP .....	2	
40	90462-12142-00	CLAMP .....	1	
41	1RM-13161-00-00	PIPE, DELIVERY 1 .....	1	
42	93210-07135-00	O-RING .....	3	
43	90110-06093-00	BOLT, HEXAGON SOCKET HEAD .....	1	

4FY1351-2120

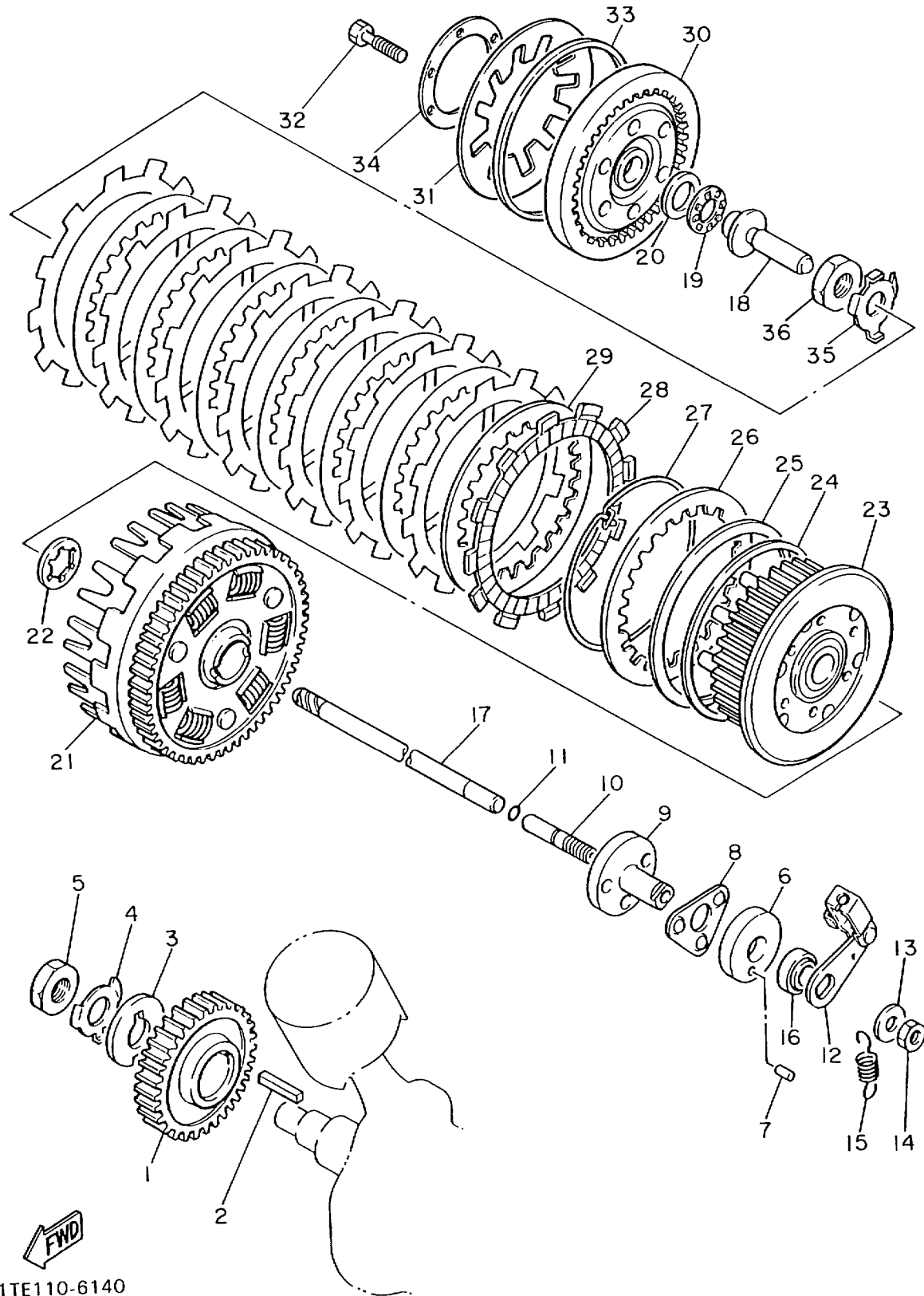
# STARTER CLUTCH



4PW3332-6130

Ref. No.	Part Number	Description	Qty	Remarks
1	3LP-15570-00-00	STARTER CLUTCH ASSEMBLY	1	
2	99009-13400-00	CIRCLIP	1	
3	4X7-15521-00-00	SHAFT 1	1	
4	3LP-W1551-00-00	GEAR, IDLER SET	1	
5	1TA-15512-00-00	GEAR, IDLER 1	1	
6	90387-172E5-00	COLLAR	2	
7	90387-170E5-00	COLLAR	1	
8	5A8-15550-00-00	DRIVE LEVER ASSEMBLY	1	
9	93102-10247-00	OIL SEAL	1	
10	5A8-15542-01-00	COLLAR 2	1	
11	90151-06013-00	SCREW, COUNTERSUNK	1	
12	5A8-15556-00-00	LEVER, DRIVE	1	
13	90508-26494-00	SPRING, TORSION	1	
14	90149-08166-00	SCREW	1	
15	3EG-15568-00-00	GASKET	1	
16	95707-06500-00	NUT, FLANGE	2	
17	90387-0801M-00	COLLAR	2	

# CLUTCH

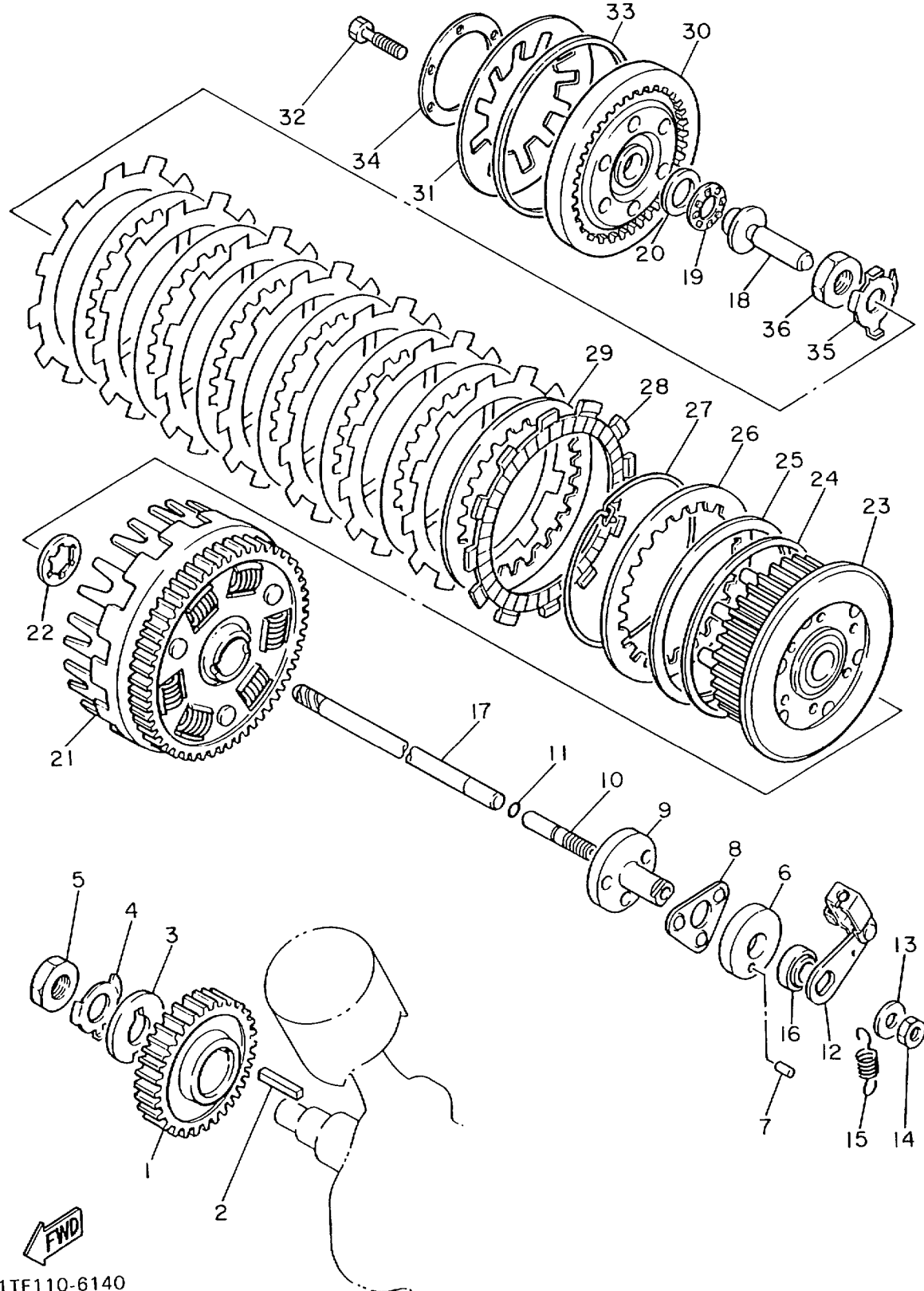


Ref. No.	Part Number	Description	Qty	Remarks
1	4X7-16111-00-00	GEAR, PRIMARY DRIVE (47T)	1	
2	90282-07042-00	KEY, STRAIGHT	1	
3	90214-20022-00	WASHER, CLAW	1	
4	90215-20182-00	WASHER, LOCK	1	
5	90170-20274-00	NUT	1	
6	2H7-16396-00-00	HOUSING, PUSH SCREW	1	
7	93606-07082-00	PIN, DOWEL	1	
8	2H7-16395-01-00	RETAINER, BALL	1	
9	2H7-16341-00-00	SCREW, PUSH	1	
10	2H7-16343-00-00	SCREW, ADJUSTING	1	
11	93210-48364-00	O-RING	1	
12	4X7-16340-00-00	PUSH LEVER ASSEMBLY	1	
13	92907-08200-00	WASHER	1	
14	95307-08700-00	NUT	1	
15	90506-10069-00	SPRING, TENSION	1	
16	93104-14059-00	OIL SEAL	1	
17	4X7-16357-00-00	ROD, PUSH 2	1	
18	4X7-16356-00-00	ROD, PUSH 1	1	
19	93340-21505-00	BEARING	1	
20	90201-151A7-00	WASHER, PLATE (T=1.0)	1	
21	4X7-16150-02-00	PRIMARY DRIVEN GEAR COMP.	1	
22	3Y1-16154-00-00	PLATE, THRUST 1	1	
23	1TA-16371-00-00	BOSS, CLUTCH	1	
24	4X7-16384-00-00	PLATE, SEAT	1	
25	4X7-16383-01-00	SPRING, CLUTCH BOSS	1	
26	4X7-16324-00-00	PLATE, CLUTCH 1	1	
27	4X7-16385-00-00	RING, CLUTCH BOSS	1	
28	22U-16321-00-00	PLATE, FRICTION	8	

CONTINUED ON NEXT FRAME ►

1TE110-6140

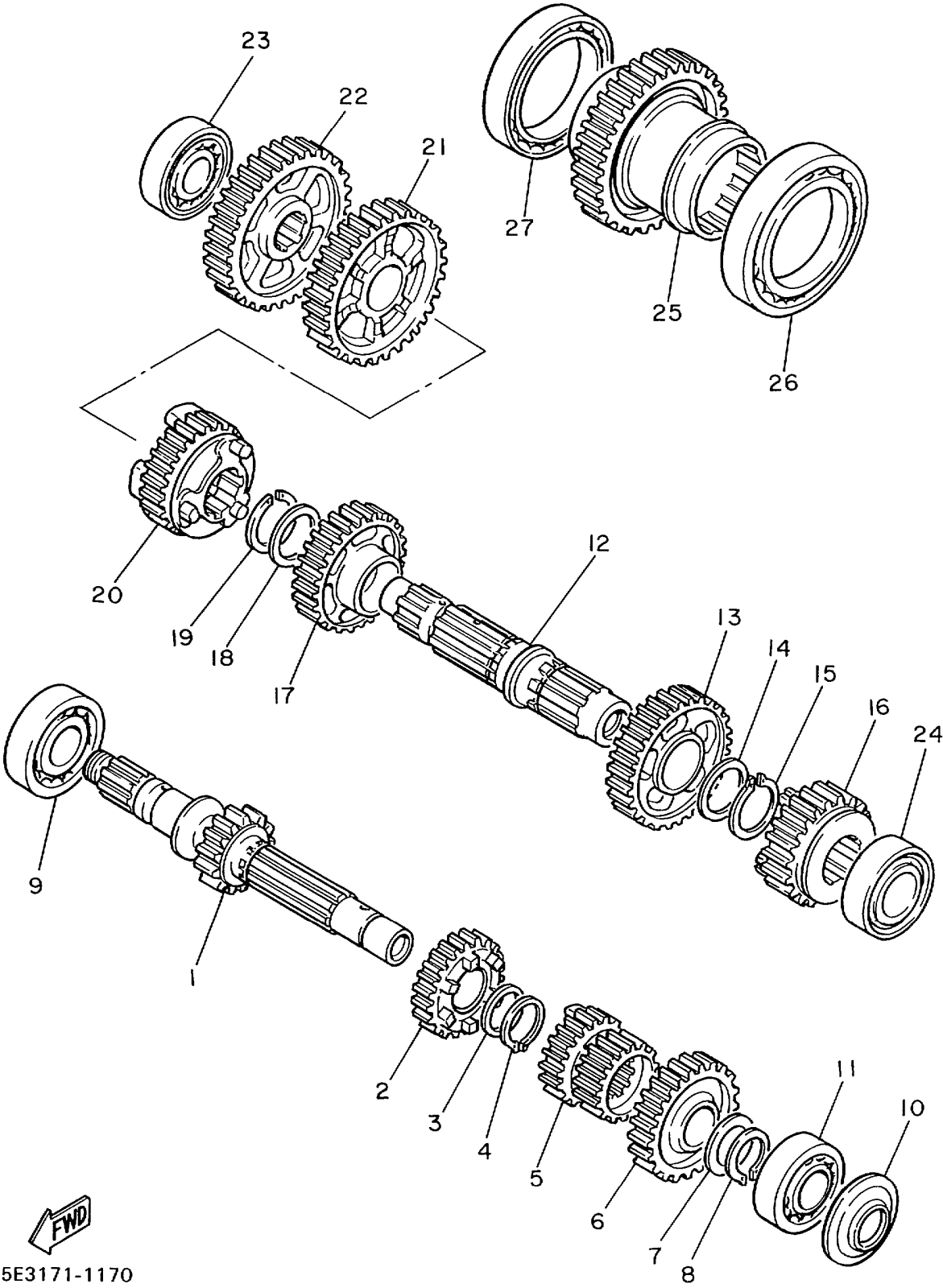
# CLUTCH



Ref. No.	Part Number	Description	Qty	Remarks
29	1TA-16325-00-00	PLATE, CLUTCH 2	7	
30	1TA-16351-00-00	PLATE, PRESSURE 1	1	
31	1TA-16334-00-00	SPRING, CLUTCH 2	1	
32	97027-06025-00	BOLT	6	
33	1TA-16335-00-00	HOUSING, SPRING	1	
34	1TA-16352-00-00	PLATE, PRESSURE 2	1	
35	90215-20170-00	WASHER, LOCK	1	
36	90170-20257-00	NUT	1	

1TE110-6140

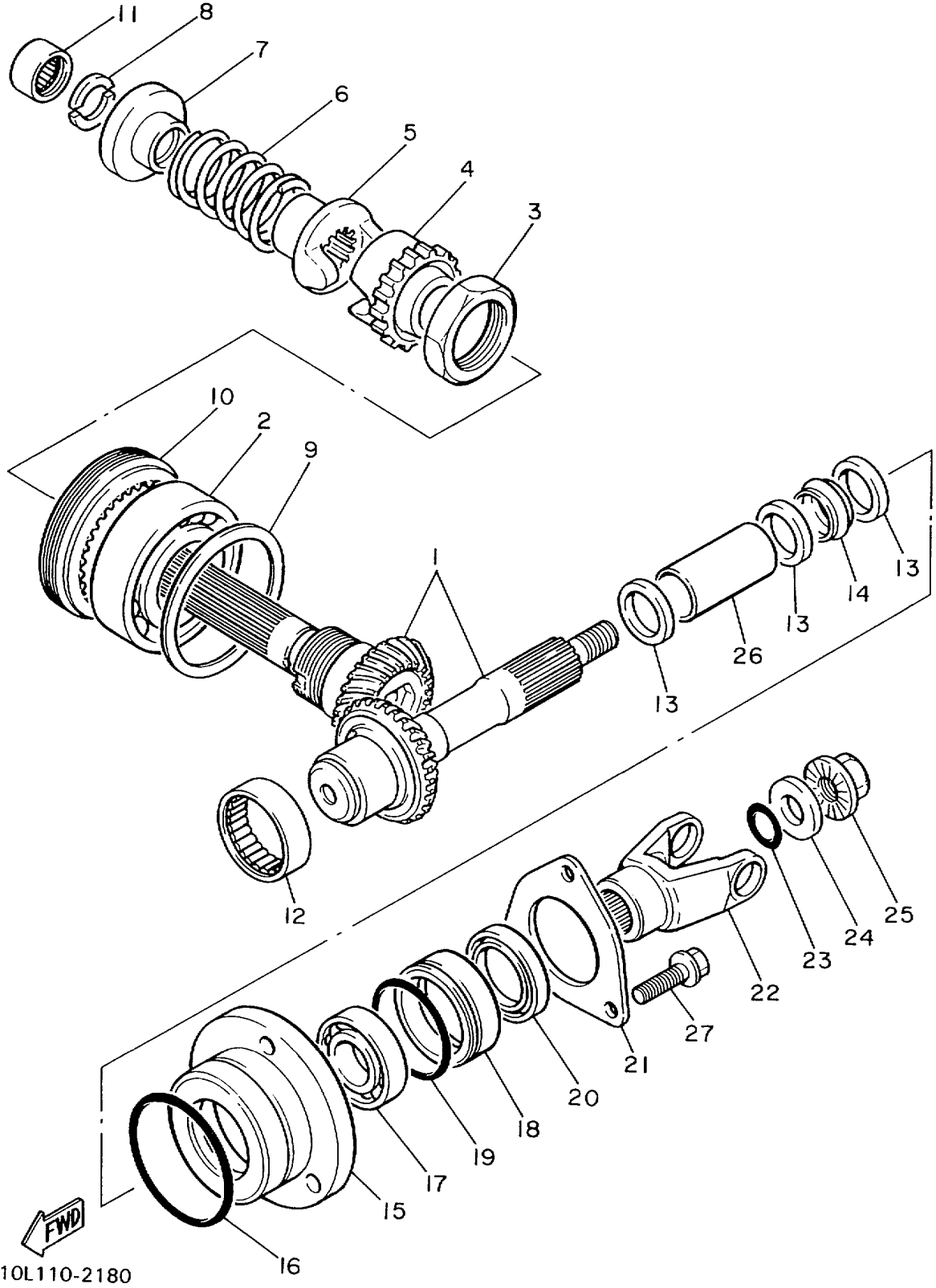
# TRANSMISSION



Ref. No.	Part Number	Description	Qty	Remarks
1	1TA-17411-00-00	AXLE, MAIN	1	
2	4X7-17141-00-00	GEAR, 4TH PINION (31T)	1	
3	90209-22191-00	WASHER	1	
4	99009-25400-00	CIRCLIP	1	
5	4X7-17121-00-00	GEAR, 2ND/3RD PINION (24/28T)	1	
6	42X-17151-00-00	GEAR, 5TH PINION (34T)	1	
7	90201-20276-00	WASHER, PLATE (1.0T)	1	
8	99009-20400-00	CIRCLIP	1	
9	93306-30525-00	BEARING (B6305)	1	
10	93104-20068-00	OIL SEAL	1	
11	93306-30424-00	BEARING (B6304A3)	1	
12	4X7-17402-00-00	DRIVE AXLE ASSEMBLY	1	
13	4X7-17221-00-00	GEAR, 2ND WHEEL (40T)	1	
14	90209-27192-00	WASHER	1	
15	93440-30077-00	CIRCLIP	1	
16	42X-17251-00-00	GEAR, 5TH WHEEL (29T)	1	
17	4X7-17231-00-00	GEAR, 3RD WHEEL (36T)	1	
18	90209-27192-00	WASHER	1	
19	93440-30077-00	CIRCLIP	1	
20	4X7-17241-00-00	GEAR, 4TH WHEEL (32T)	1	
21	1TA-17211-00-00	GEAR, 1ST WHEEL (39T)	1	
22	4PP-17582-00-00	GEAR, MIDDLE DRIVE (46T)	1	
23	93306-20401-00	BEARING (B6204)	1	
24	93306-20550-00	BEARING (B6205DU8)	1	
25	4PP-17583-00-00	GEAR, MIDDLE DRIVEN (45T)	1	
26	93316-01201-00	BEARING (B16012)	1	
27	93306-91201-00	BEARING (B6912)	1	

5E3171-1170

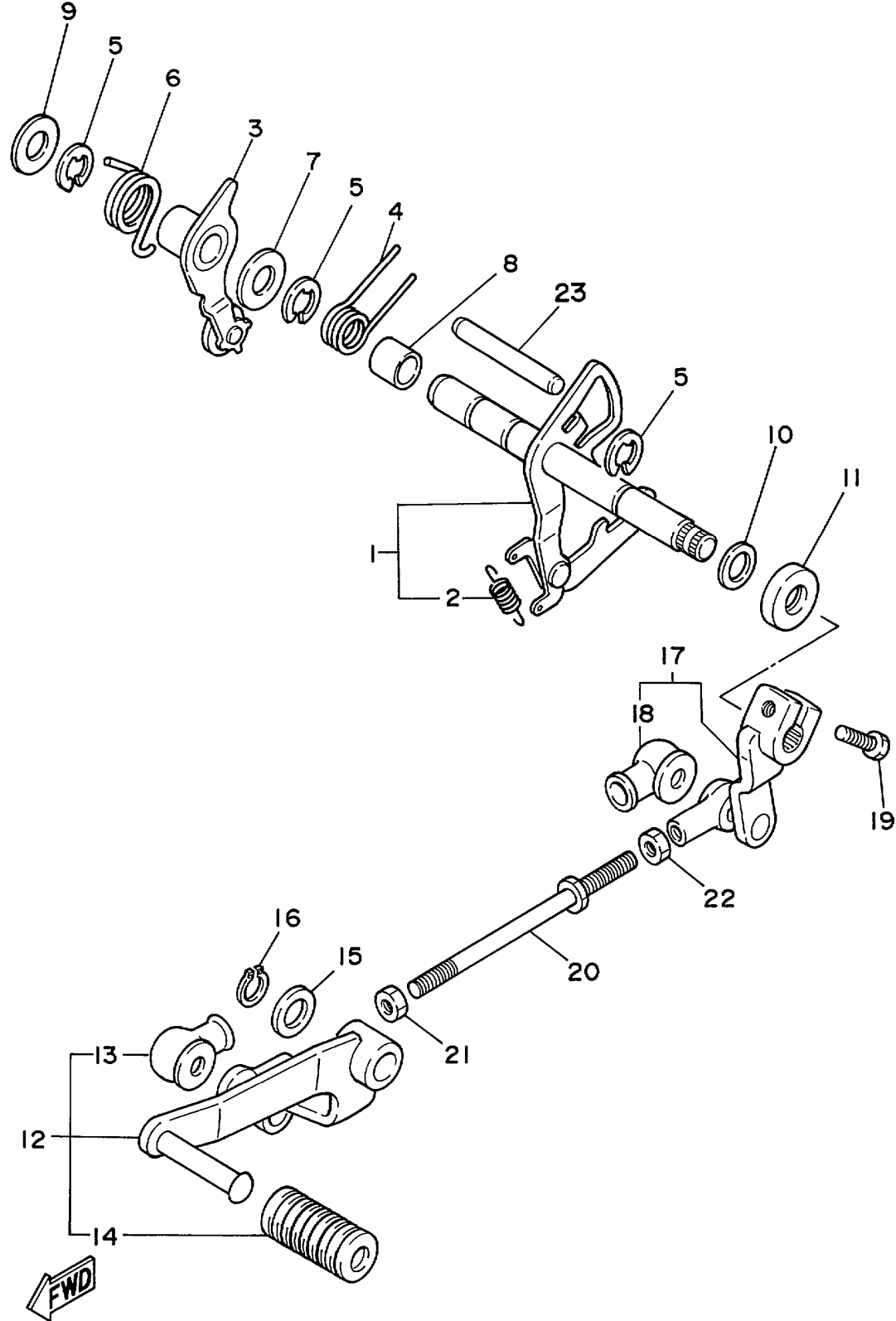
# MIDDLE DRIVE GEAR



Ref. No.	Part Number	Description	Qty	Remarks
1	1TA-Y1757-00-00	MIDDLE GEAR COMP. ....	1	
2	93306-20901-00	BEARING (B6209RSH2-C2) ...	1	
3	90179-44328-00	NUT .....	1	
4	42X-17526-01-00	CAM, DRIVE .....	1	
5	31A-17527-00-00	CAM, DRIVEN .....	1	
6	90501-70762-00	SPRING, COMPRESSION .....	1	
7	4X7-17524-00-00	HOLDER .....	1	
8	3H5-17529-00-00	WASHER, THRUST .....	2	
9	4X7-17531-00-15	SHIM, PINION (0.15T) .....	1	UR
	4X7-17531-00-30	SHIM, PINION (0.30T) .....	1	UR
	4X7-17531-00-50	SHIM, PINION (0.50T) .....	1	UR
10	90179-88336-00	NUT .....	1	
11	93317-22021-00	BEARING .....	1	
12	93311-44051-00	BEARING .....	1	
13	90201-255A6-00	WASHER, PLATE .....	3	
14	1J7-46129-Y1-00	SPACER, EXPANSION .....	1	
15	4X7-17551-00-00	HOUSING, BEARING .....	1	
16	93210-71360-00	O-RING .....	1	
17	93306-20548-00	BEARING (B6205RC2) .....	1	
18	4X7-17554-00-00	RETAINER, BEARING .....	1	
19	93210-52449-00	O-RING .....	1	
20	93101-35099-00	OIL SEAL .....	1	
21	4X7-17558-00-00	PLATE, BEARING .....	1	
22	4X7-17556-00-00	YOKE, JOINT .....	1	
23	93210-14359-00	O-RING .....	1	
24	90201-14633-00	WASHER, PLATE .....	1	
25	90179-14317-00	NUT .....	1	
26	90387-251E1-00	COLLAR .....	1	
27	95827-08030-00	BOLT, FLANGE .....	3	



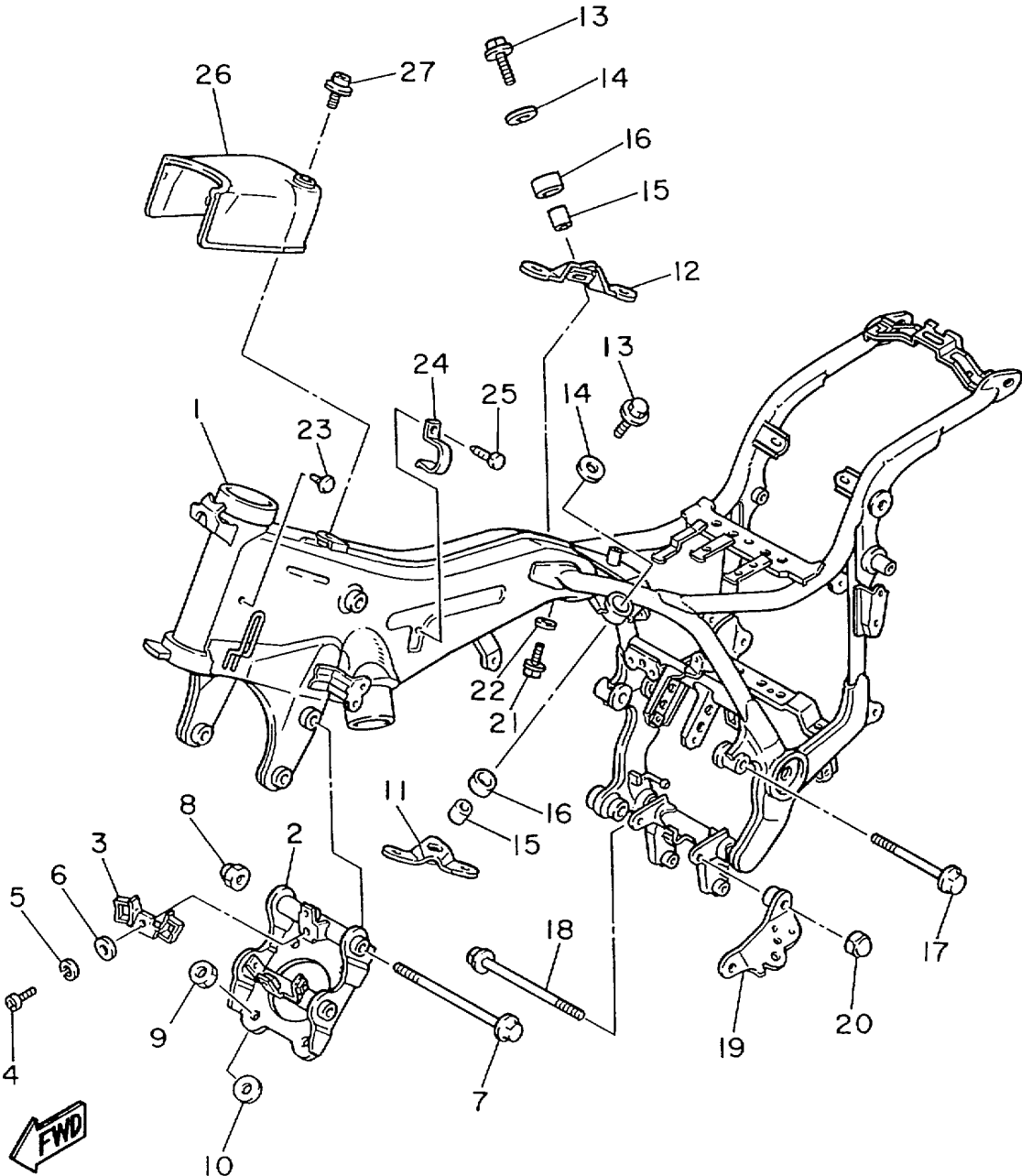
# SHIFT SHAFT



Ref. No.	Part Number	Description	Qty	Remarks
1	4X7-18120-01-00	SHIFT LEVER ASSEMBLY	1	
2	90506-08227-00	. SPRING, TENSION	1	
3	4X7-18140-00-00	STOPPER LEVER ASSEMBLY	1	
4	90508-32535-00	SPRING, TORSION	1	
5	99001-10600-00	CIRCLIP	3	
6	90508-29531-00	SPRING, TORSION	1	
7	90201-12588-00	WASHER, PLATE	1	
8	90387-124F4-00	COLLAR	1	
9	90201-12588-00	WASHER, PLATE	1	
10	90201-12166-00	WASHER, PLATE	1	
11	93102-12106-00	OIL SEAL (SD 12-22-5 HS)	1	
12	42X-18110-01-00	SHIFT PEDAL ASSEMBLY	1	
13	2H9-18154-00-00	. COVER, DUST	1	
14	132-18113-01-00	. COVER, SHIFT PEDAL	1	
15	90201-12688-00	WASHER, PLATE	1	
16	99009-12400-00	CIRCLIP	1	
17	42X-18112-01-00	ARM, SHIFT	1	
18	2H9-18154-00-00	. COVER, DUST	1	
19	97024-06020-00	BOLT	1	
20	29L-18115-00-00	ROD, SHIFT	1	
21	90170-06228-00	NUT (COUNTERCLOCKWISE)	1	
22	95304-06700-00	NUT	1	
23	93608-50158-00	PIN, DOWEL	1	

3EF236I-9180

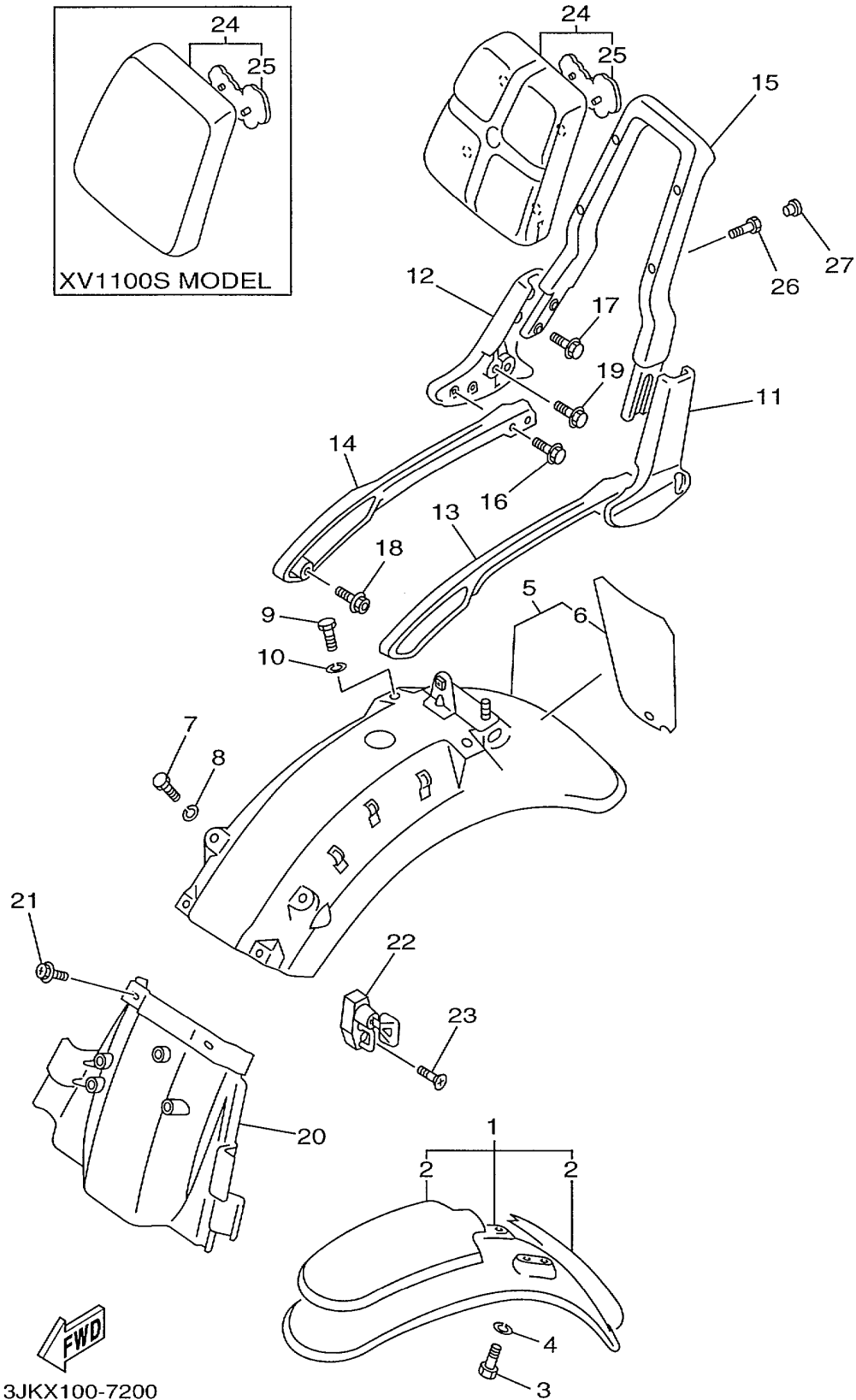
# FRAME



3EF1361-8190

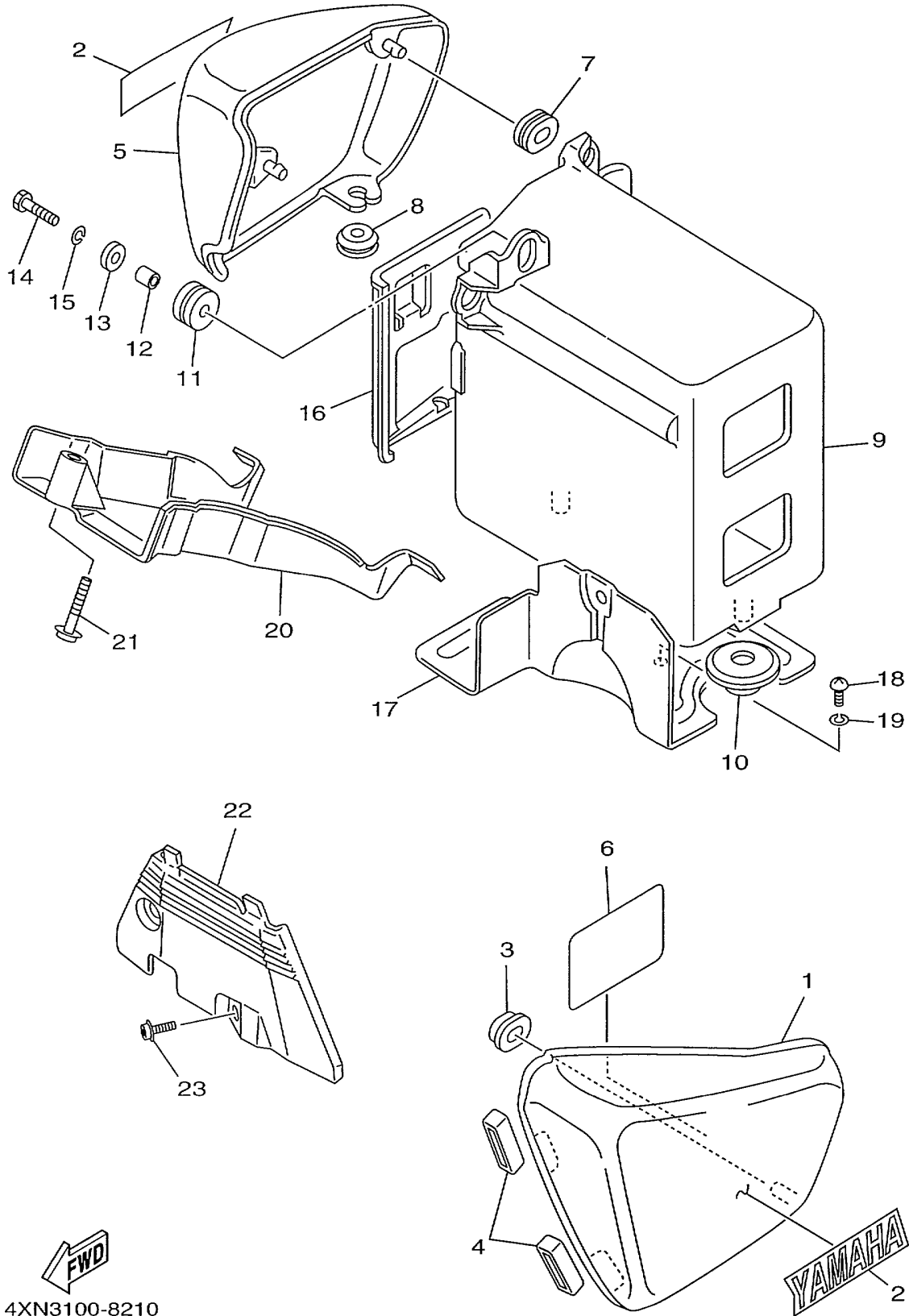
Ref. No.	Part Number	Description	Qty	Remarks
1	3CF-21110-00-33	FRAME COMP. ....	1	YB
2	42X-21317-00-00	STAY, ENGINE 3 ....	1	
3	42X-21359-00-00	BRACKET, COIL ....	1	
4	98507-06012-00	SCREW, PAN HEAD ....	1	
5	92907-06100-00	WASHER, SPRING ....	1	
6	92907-06600-00	WASHER, PLATE (92906-06600-00) ....	1	
7	90105-10297-00	BOLT, WASHER BASED ....	2	
8	90176-10075-00	NUT, CROWN ....	2	
9	90179-12657-00	NUT ....	4	
10	90201-125A3-00	WASHER, PLATE ....	4	
11	42X-21315-01-00	STAY, ENGINE 2 ....	1	
12	42X-21316-01-00	STAY, ENGINE 3 ....	1	
13	90105-10298-00	BOLT, WASHER BASED ....	2	
14	90201-105H3-00	WASHER, PLATE ....	2	
15	90387-100E2-00	COLLAR ....	2	
16	4X7-21485-00-00	DAMPER, RUBBER 1 ....	2	
17	90105-10299-00	BOLT, WASHER BASED ....	2	
18	90105-10300-00	BOLT, WASHER BASED ....	1	
19	42X-21458-01-00	BRACKET, SIDE STAND ....	1	
20	90176-10075-00	NUT, CROWN ....	2	
21	90105-06069-00	BOLT, WASHER BASED ....	1	
22	90202-05193-00	WASHER, PLATE ....	1	
23	90338-07043-00	PLUG ....	2	
24	90462-08138-00	CLAMP ....	2	
25	97707-50508-00	SCREW, TAPPING ....	2	
26	42X-2139R-00-00	COVER 2 ....	1	
27	90159-06058-00	SCREW, WITH WASHER ....	1	

# FENDER



Ref. No.	Part Number	Description	Qty	Remarks
1	1MY-Y2151-P0-PF	FRONT FENDER COMP. ....	1	DRM2
2	3JK-21570-G0-00	. GRAPHIC SET, FRONT FENDER .....	1	
3	97027-06012-00	BOLT .....	4	
4	92907-06100-00	WASHER, SPRING .....	4	
5	1RM-Y2161-01-P8	REAR FENDER COMP. ....	1	DRM2
6	3JK-21675-F0-00	. GRAPHIC, REAR FENDER ...	1	
7	97027-06012-00	BOLT .....	2	
8	92907-06100-00	WASHER, SPRING .....	2	
9	97027-08012-00	BOLT .....	2	
10	92907-08100-00	WASHER, SPRING .....	2	
11	1RM-2164F-00-00	STAY 1 .....	1	
12	1RM-2164G-00-00	STAY 2 .....	1	
13	3JK-2164H-00-00	STAY 3 .....	1	
14	3JK-2164J-00-00	STAY 4 .....	1	
15	42H-2164A-02-00	GRIP 1 .....	1	
16	95817-06016-00	BOLT, FLANGE .....	4	
17	95827-06016-00	BOLT, FLANGE .....	4	
18	90149-08225-00	SCREW .....	2	
19	90105-10217-00	BOLT, WASHER BASED .....	2	
20	42X-21629-00-00	GUARD, MUD .....	1	
21	90159-06128-00	SCREW, WITH WASHER .....	2	
22	4R8-21308-00-00	HELMET HANGER ASSEMBLY	1	
23	90149-06154-00	SCREW .....	1	
24	1TA-2840F-00-00	BACK REST ASSEMBLY .....	1	
25	42H-24786-00-00	. EMBLEM .....	1	
26	91317-06035-00	BOLT .....	4	
27	90338-06162-00	PLUG .....	4	

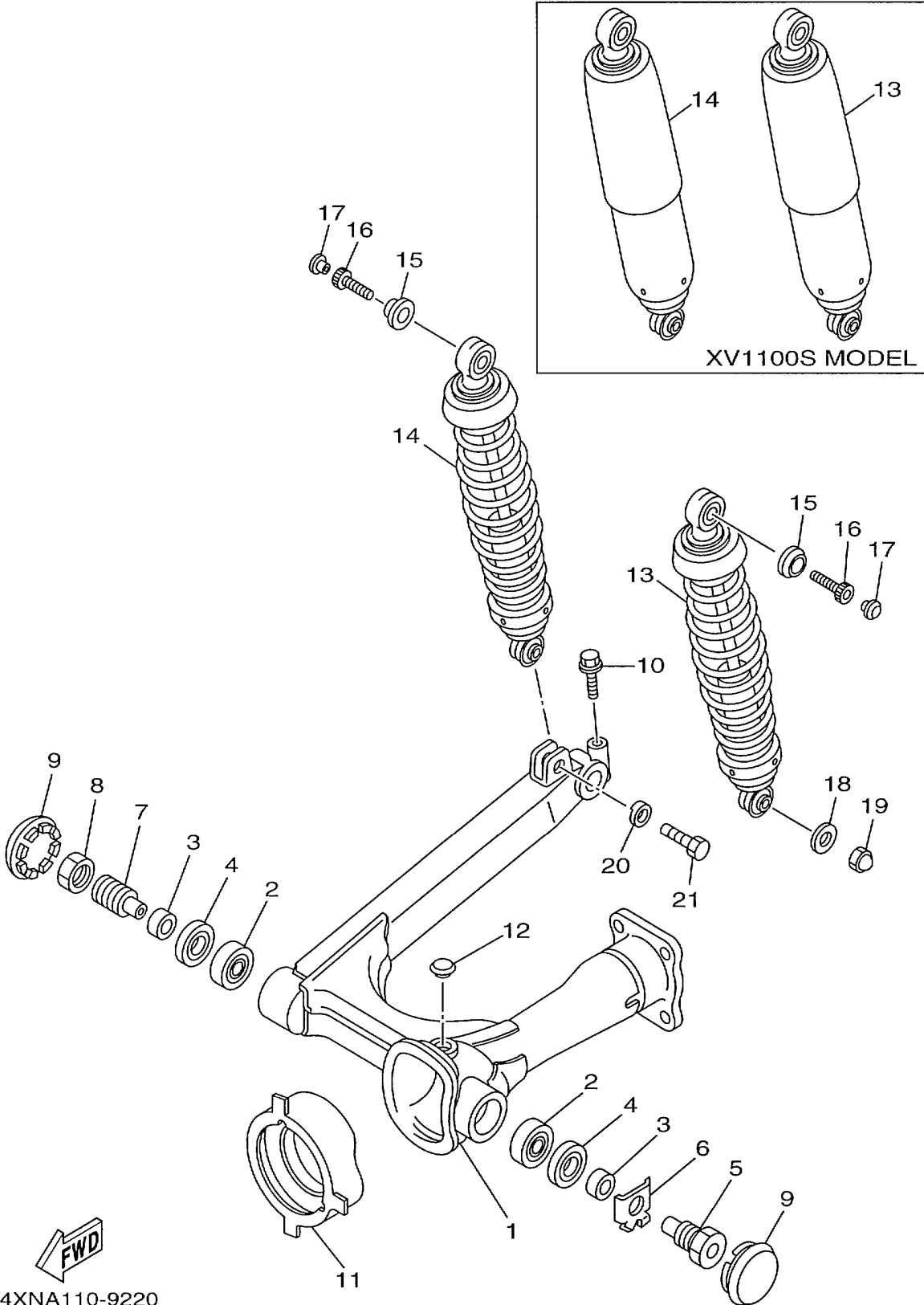
# SIDE COVER



Ref. No.	Part Number	Description	Qty	Remarks
1	42X-21711-00-P8	COVER, SIDE 1	1	DRM2
2	99237-00080-00	EMBLEM, YAMAHA	2	
3	90480-01141-00	GROMMET	1	
4	3LP-21717-00-00	DAMPER	2	
5	42X-21721-00-P8	COVER, SIDE 2	1	DRM2
6	3JK-2179R-A0-00 3JK-2179V-A0-00	PLATE, EPA 2 (CALIFORNIA) PLATE, EPA 1 (NON CALIFORNIA)	1	
7	90480-01141-00	GROMMET	2	
8	90480-12053-00	GROMMET	1	
9	42X-21171-00-00	BOX	1	
10	90480-20384-00	GROMMET	2	
11	90480-16233-00	GROMMET	1	
12	90387-07674-00	COLLAR	1	
13	90201-06380-00	WASHER, PLATE	1	
14	97007-06020-00	BOLT	1	
15	92907-06100-00	WASHER, SPRING	1	
16	42X-28185-00-00	LID	1	
17	42X-2172W-02-00	COVER	1	
18	98507-06010-00	SCREW, PAN HEAD	2	
19	92907-06100-00	WASHER, SPRING	2	
20	42X-2176E-00-00	PLATE	1	
21	90159-06110-00	SCREW, WITH WASHER	1	
22	42X-2117F-00-00	COVER	1	
23	90159-06033-00	SCREW, WITH WASHER	2	

  
4XN3100-8210

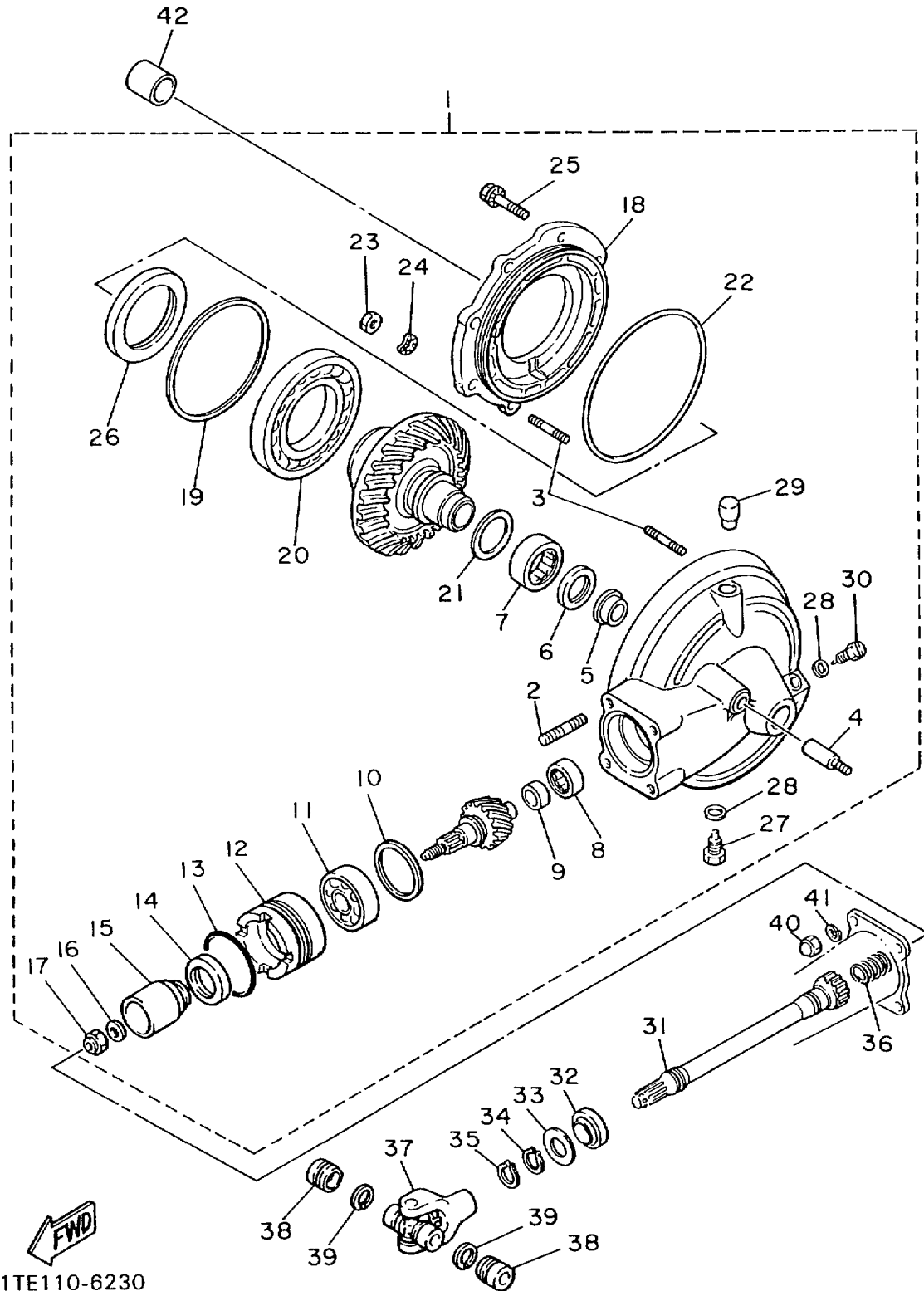
# REAR ARM - SUSPENSION



Ref. No.	Part Number	Description	Qty	Remarks
1	1RM-22110-01-35	REAR ARM COMP. ....	1	SL
2	93332-00010-00	BEARING .....	2	
3	90387-17543-00	COLLAR .....	2	
4	93102-25017-00	OIL SEAL .....	2	
5	42X-22141-00-00	SHAFT, PIVOT .....	1	
6	90215-22238-00	WASHER, LOCK .....	1	
7	1J7-22141-00-00	SHAFT, PIVOT .....	1	
8	1J7-22143-00-00	NUT .....	1	
9	2H7-2219X-00-00	COVER .....	2	
10	95024-08035-00	BOLT, FLANGE .....	1	
11	4X7-22189-01-00	BOOT, RUBBER .....	1	
12	90338-20113-00	PLUG .....	1	
13	3JK-22210-01-00	SHOCK ABSORBER ASSEMBLY, REAR .....	1	
14	3JK-22220-01-00	SHOCK ABSORBER ASSEMBLY, REAR .....	1	
15	57A-22243-01-00	WASHER 1 .....	2	
16	91317-08020-00	BOLT .....	2	
17	90338-08163-00	PLUG .....	2	
18	90201-105R9-00	WASHER, PLATE .....	1	
19	90176-10073-00	NUT, CROWN .....	1	
20	92903-10100-00	WASHER, SPRING .....	1	
21	90106-10052-00	BOLT .....	1	

4XNA110-9220

# DRIVE SHAFT

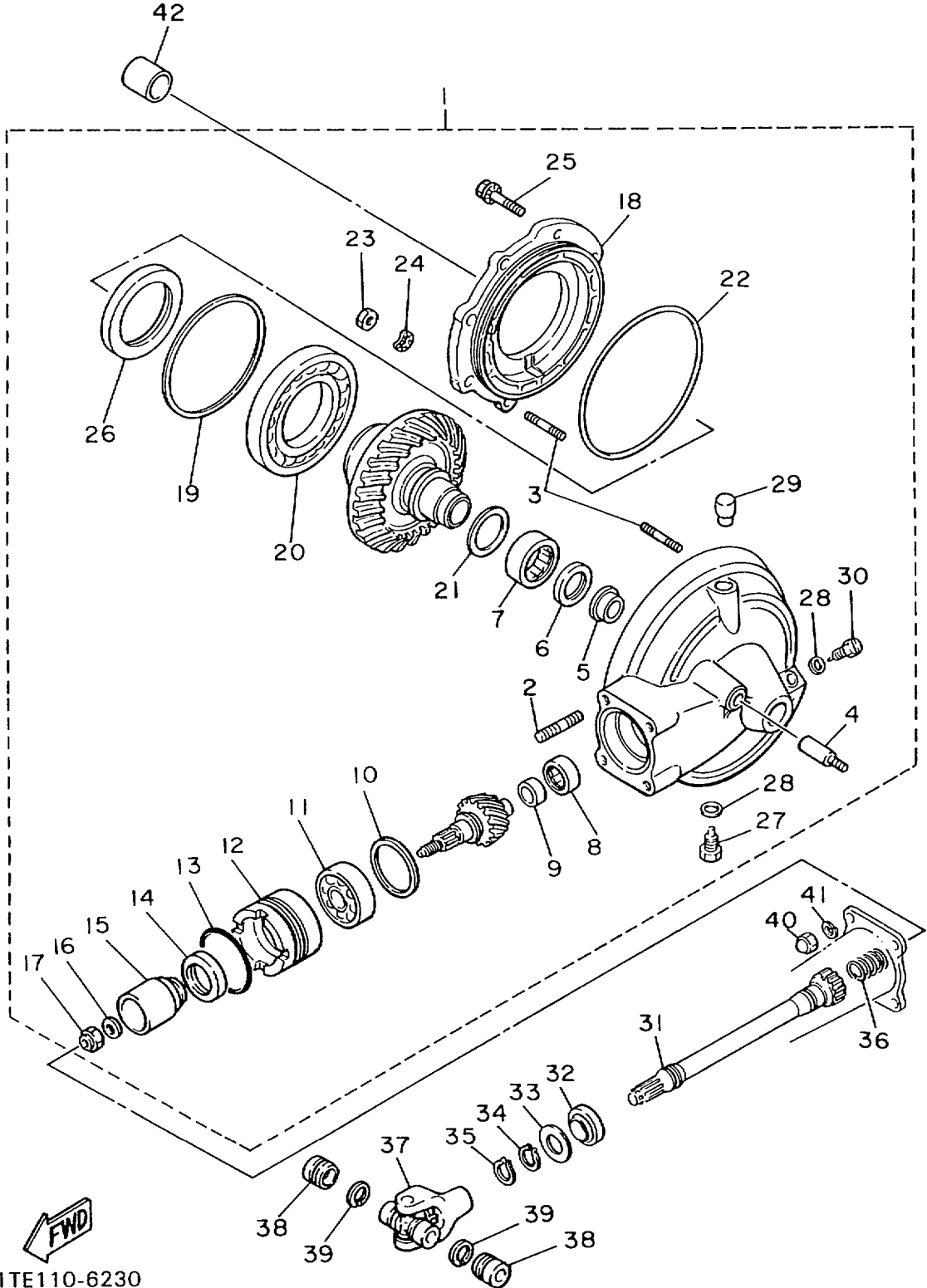


Ref. No.	Part Number	Description	Qty	Remarks
1	56W-46101-02-00	REAR AXLE GEAR CASE ASSEMBLY	1	
2	90116-10362-00	. BOLT, STUD	4	
3	90116-08360-00	. BOLT, STUD	6	
4	90116-10249-00	. BOLT, STUD	1	
5	4H7-46153-00-00	. COLLAR, GUIDE	1	
6	93101-30084-00	. OIL SEAL	1	
7	93311-43729-00	. BEARING	1	
8	93317-41510-00	. BEARING	1	
9	2H7-46122-00-00	. RACE, INNER	1	
10	1J7-17537-Y0-30	. SHIM, THRUST (0.30T)	1	UR
	1J7-17537-Y0-40	. SHIM, THRUST (0.40T)	1	UR
	1J7-17537-Y0-50	. SHIM, THRUST (0.50T)	1	UR
11	93306-30533-00	. BEARING (B6305RB1 SPECIAL)	1	
12	4H7-46125-00-00	. RETAINER, BEARING	1	
13	93210-60426-00	. O-RING	1	
14	93101-38098-00	. OIL SEAL	1	
15	4H7-46123-00-00	. COUPLING, GEAR	1	
16	90201-14632-00	. WASHER, PLATE	1	
17	90185-14070-00	. NUT, SELF-LOCKING	1	
18	4H7-46152-00-00	. HOUSING, BEARING	1	
19	1J7-46117-Y0-30	. SHIM, RING GEAR (0.30T)	1	UR
	1J7-46117-Y0-40	. SHIM, RING GEAR (0.40T)	1	UR
	1J7-46117-Y0-50	. SHIM, RING GEAR (0.50T)	1	UR
20	93316-01403-00	. BEARING	1	
21	22U-46118-00-12	. SHIM, THRUST (1.2T)	1	UR
	22U-46118-00-14	. SHIM, THRUST (1.4T)	1	UR
	22U-46118-00-16	. SHIM, THRUST (1.6T)	1	UR

CONTINUED ON NEXT FRAME ►

1TE110-6230

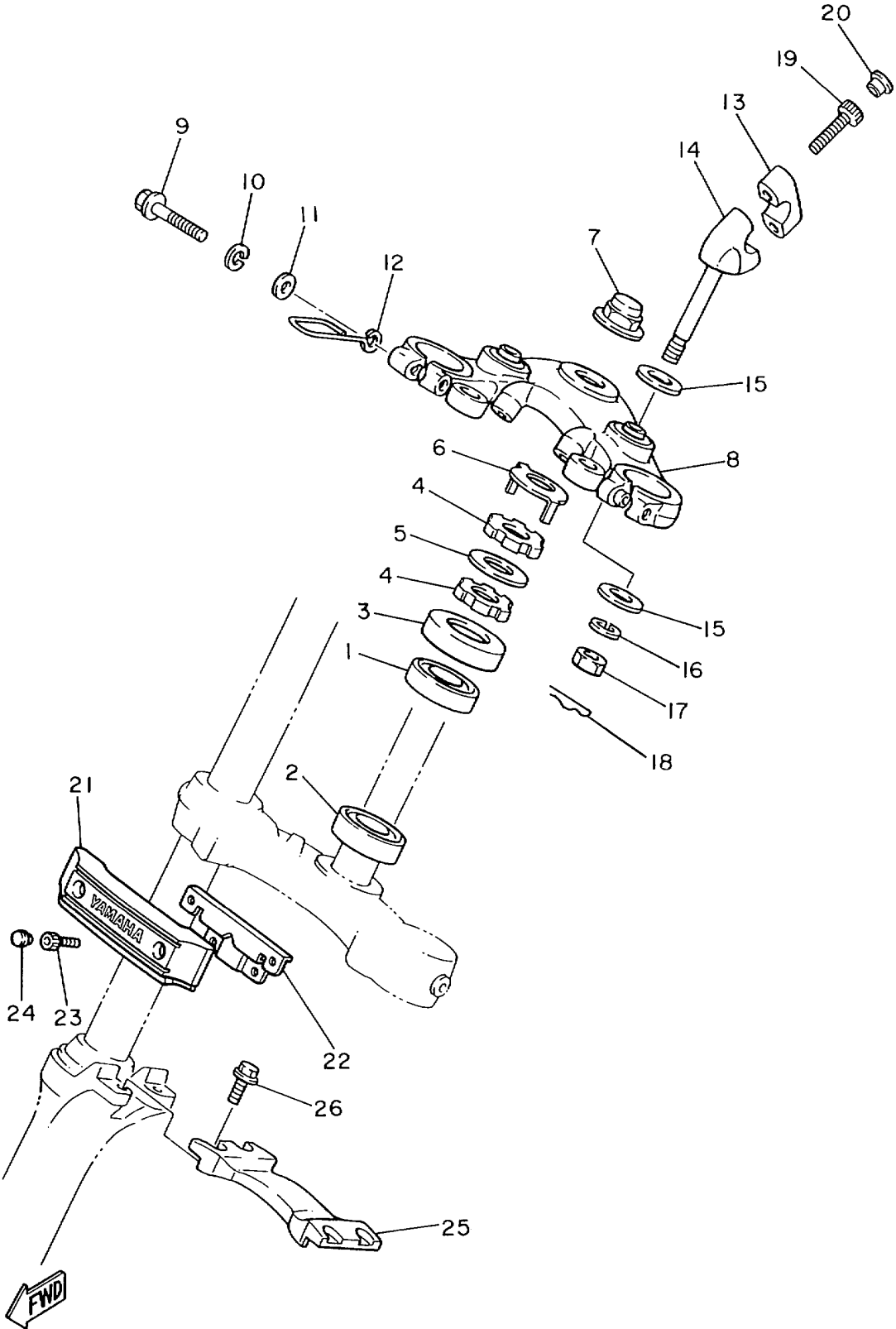
# DRIVE SHAFT



1TE110-6230

Ref. No.	Part Number	Description	Qty	Remarks
21	22U-46118-00-18	. SHIM, THRUST (1.8T)	1	UR
	22U-46118-00-20	. SHIM, THRUST (2.0T)	1	UR
22	93211-44348-00	. O-RING	1	
23	95317-08600-00	. NUT	6	
24	92907-08700-00	. WASHER	6	
25	95827-10025-00	. BOLT, FLANGE	2	
26	93102-70167-00	. OIL SEAL	1	
27	90340-14109-00	. PLUG, STRAIGHT SCREW	1	
28	214-11198-01-00	. GASKET	2	
29	56W-17590-00-00	. BREATHER COMP.	1	
30	90340-14042-00	. PLUG, STRAIGHT SCREW	1	
31	4X7-46172-00-00	SHAFT, DRIVE	1	
32	93108-23007-00	OIL SEAL	1	
33	90201-231A2-00	WASHER, PLATE	1	
34	93410-23056-00	CIRCLIP	1	
35	93410-22039-00	CIRCLIP	1	
36	90501-16491-00	SPRING, COMPRESSION	1	
37	4X7-46180-00-00	CROSS JOINT COMP.	1	
38	93311-21044-00	BEARING	2	
39	93440-20088-00	CIRCLIP	2	
40	90176-10075-00	NUT, CROWN	4	
41	92903-10100-00	WASHER, SPRING	4	
42	90387-172A5-00	COLLAR	1	

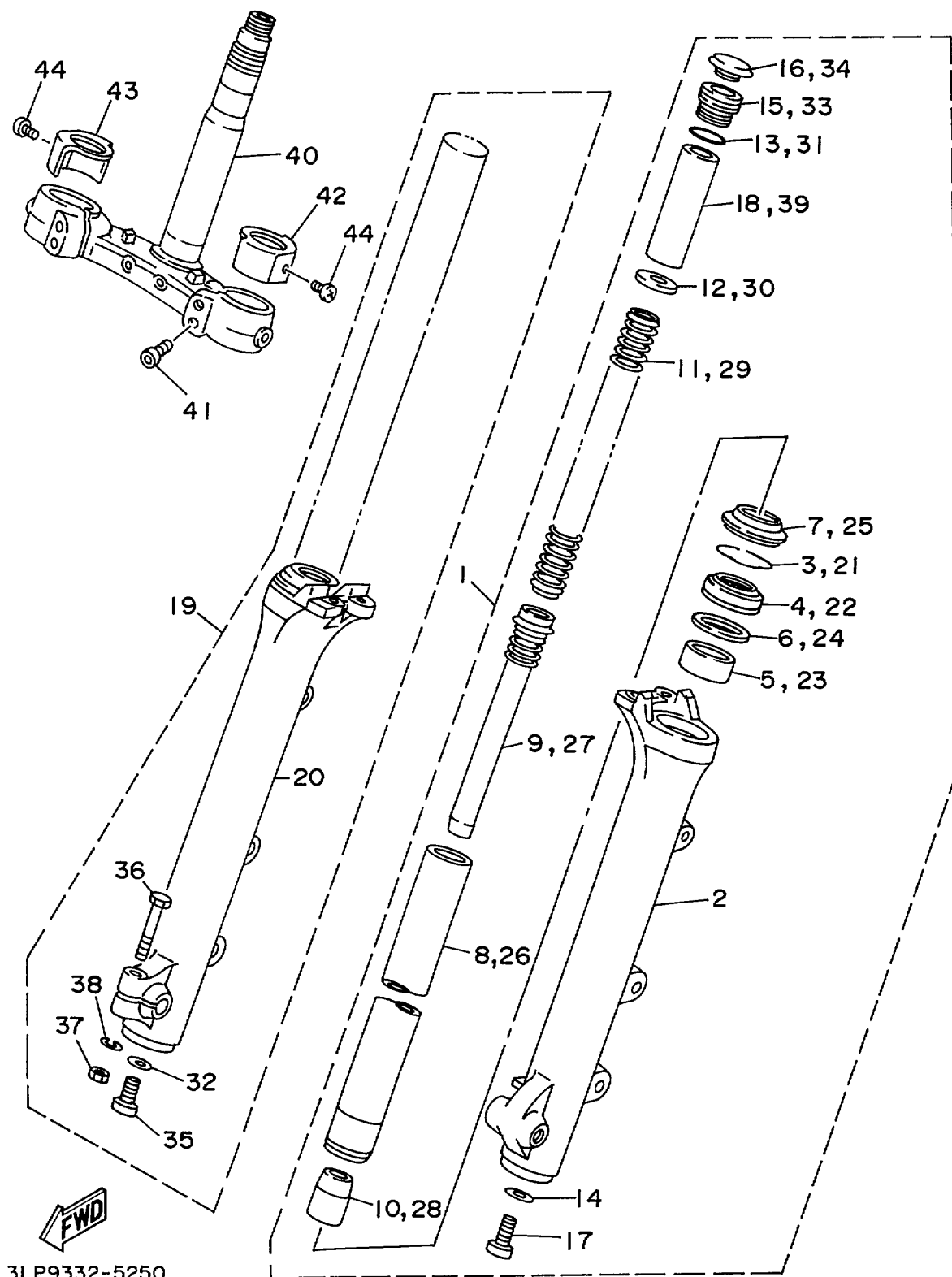
# STEERING



Ref. No.	Part Number	Description	Qty	Remarks
1	93332-00001-00	BEARING .....	1	
2	93332-00008-00	BEARING .....	1	
3	1J7-23415-00-00	COVER, BALL RACE 1 .....	1	
4	90179-25033-00	NUT .....	2	
5	90202-26142-00	WASHER, PLATE .....	1	
6	26H-23418-01-00	WASHER, SPECIAL .....	1	
7	90176-22050-00	NUT, CROWN .....	1	
8	42X-W2341-01-38	CROWN, HANDLE .....	1	CLP
9	95024-08045-00	BOLT, FLANGE .....	2	
10	92903-08100-00	WASHER, SPRING .....	2	
11	92903-08600-00	WASHER, PLATE .....	2	
12	1UF-23317-01-00	HOLDER, CABLE .....	2	
13	4H7-23441-00-38	HOLDER, HANDLE UPPER ...	2	CLP
14	42X-23442-00-38	HOLDER, HANDLE LOWER ...	2	CLP
15	90201-10141-00	WASHER, PLATE .....	4	
16	92907-10100-00	WASHER, SPRING .....	2	
17	95307-10700-00	NUT .....	2	
18	90468-12006-00	CLIP .....	2	
19	91314-08030-00	BOLT .....	4	
20	90338-08163-00	PLUG .....	4	
21	1RM-23122-00-00	COVER, OUTER 1 .....	1	
22	1RM-2317E-00-00	STAY .....	1	
23	92014-06012-00	BOLT, BUTTON HEAD .....	2	
24	90338-08163-00	PLUG .....	4	
25	42X-2313A-00-00	BRACE, FORK .....	1	
26	95024-08020-00	BOLT, FLANGE .....	4	

1RR110-6240

# FRONT FORK

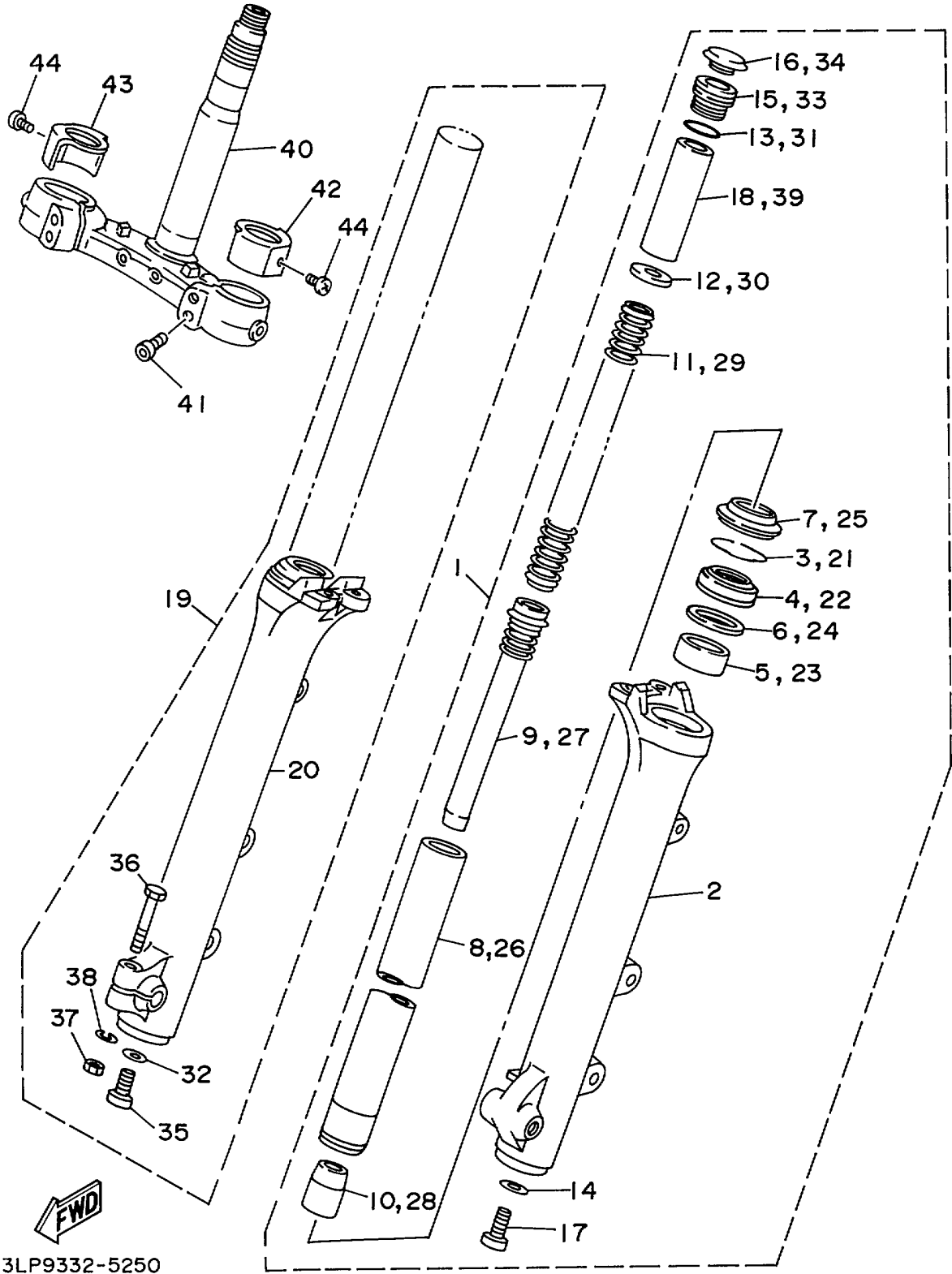


3LP9332-5250

Ref. No.	Part Number	Description	Qty	Remarks
1	3JK-23102-13-00	FRONT FORK ASSEMBLY (L.H)	1	
2	3JK-23126-10-00	. TUBE, OUTER (LEFT) . . . . .	1	
3	3R4-23153-00-00	. RING, SNAP . . . . .	1	
4	4DN-23145-00-00	. OIL SEAL . . . . .	1	
5	2YK-23125-00-00	. METAL, SLIDE 1 . . . . .	1	
6	4V2-23146-L0-00	. WASHER, OIL SEAL . . . . .	1	
7	4DN-23144-00-00	. SEAL, DUST . . . . .	1	
8	3JK-23110-12-00	. INNER TUBE COMP 1 . . . . .	1	
9	42H-23170-00-00	. CYLINDER COMP., FRONT FORK . . . . .	1	
10	3JK-23173-12-00	. SPINDLE, TAPER . . . . .	1	
11	42H-23141-00-00	. SPRING, FRONT FORK . . . . .	1	
12	4FY-23149-00-00	. WASHER, SPRING UPPER . . . . .	1	
13	1W1-23114-L0-00	. GASKET . . . . .	1	
14	509-23158-L0-00	. GASKET . . . . .	1	
15	3KM-23111-01-00	. BOLT, CAP . . . . .	1	
16	42H-23168-00-00	. CAP, FRONT FORK . . . . .	1	
17	278-23181-50-00	. BOLT, HEXAGON SOCKET HEAD . . . . .	1	
18	42X-23118-00-00	. SPACER . . . . .	1	
19	3JK-23103-13-00	FRONT FORK ASSEMBLY (R.H)	1	
20	3JK-23136-10-00	. TUBE, OUTER (RIGHT) . . . . .	1	
21	3R4-23153-00-00	. RING, SNAP . . . . .	1	
22	4DN-23145-00-00	. OIL SEAL . . . . .	1	
23	2YK-23125-00-00	. METAL, SLIDE 1 . . . . .	1	
24	4V2-23146-L0-00	. WASHER, OIL SEAL . . . . .	1	
25	4DN-23144-00-00	. SEAL, DUST . . . . .	1	
26	3JK-23110-12-00	. INNER TUBE COMP 1 . . . . .	1	
27	42H-23170-00-00	. CYLINDER COMP., FRONT FORK . . . . .	1	

CONTINUED ON NEXT FRAME ►

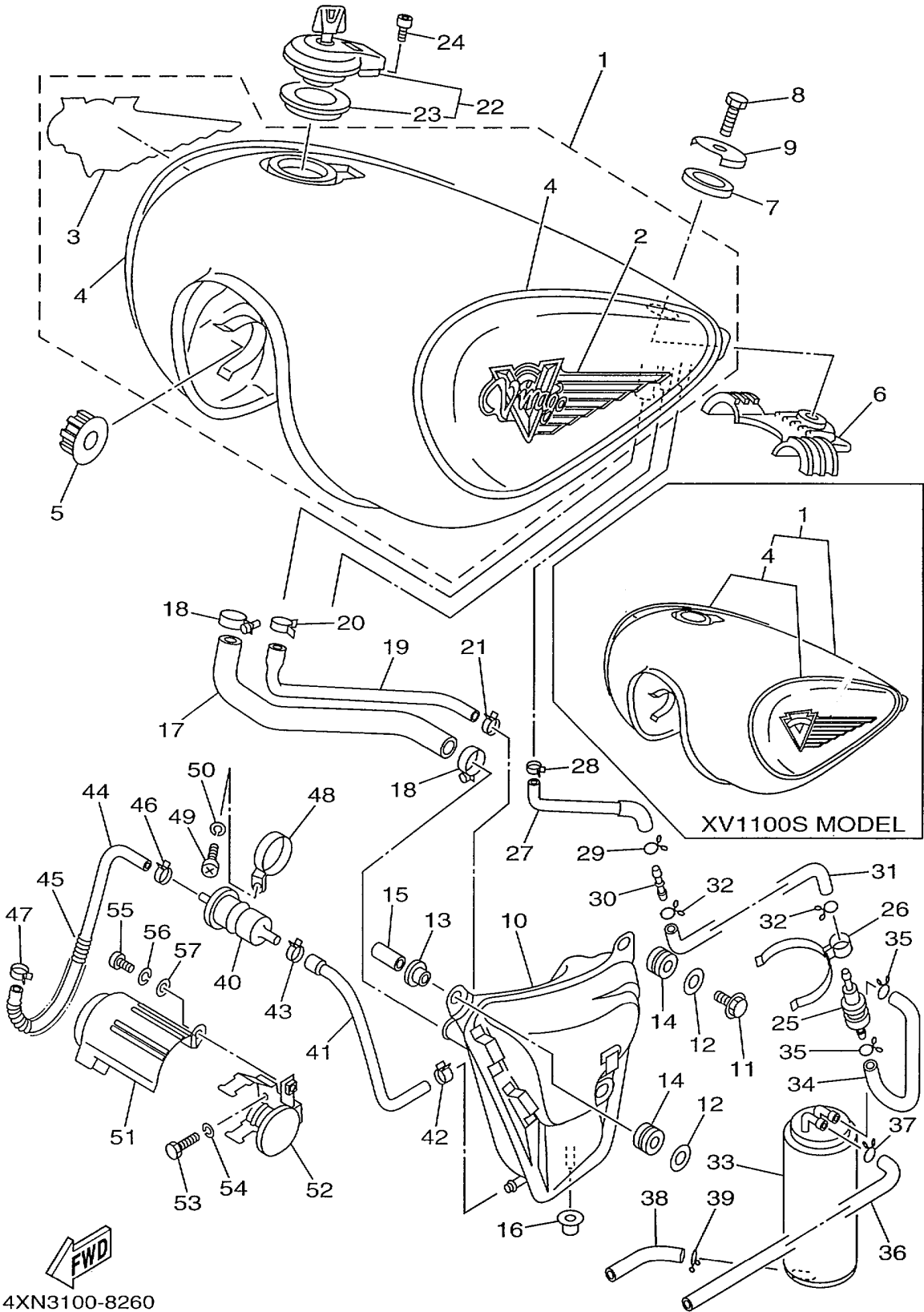
# FRONT FORK



Ref. No.	Part Number	Description	Qty	Remarks
28	3JK-23173-12-00	. SPINDLE, TAPER .....	1	
29	42H-23141-00-00	. SPRING, FRONT FORK .....	1	
30	4FY-23149-00-00	. WASHER, SPRING UPPER ..	1	
31	1W1-23114-L0-00	. GASKET .....	1	
32	509-23158-L0-00	. GASKET .....	1	
33	3KM-23111-01-00	. BOLT, CAP .....	1	
34	42H-23168-00-00	. CAP, FRONT FORK .....	1	
35	278-23181-50-00	. BOLT, HEXAGON SOCKET HEAD .....	1	
36	4V4-23346-L0-00	. BOLT 1 .....	1	
37	95311-08600-00	. NUT .....	1	
38	92901-08100-00	. WASHER, SPRING .....	1	
39	42X-23118-00-00	. SPACER .....	1	
40	42H-23340-00-00	UNDER BRACKET COMP. ....	1	
41	91311-08030-00	BOLT .....	4	
42	1RM-23132-00-00	COVER (L.H) .....	1	
43	1RM-23132-10-00	COVER (R.H) .....	1	
44	1RM-23119-00-00	SCREW .....	2	

3LP9332-5250

# FUEL TANK



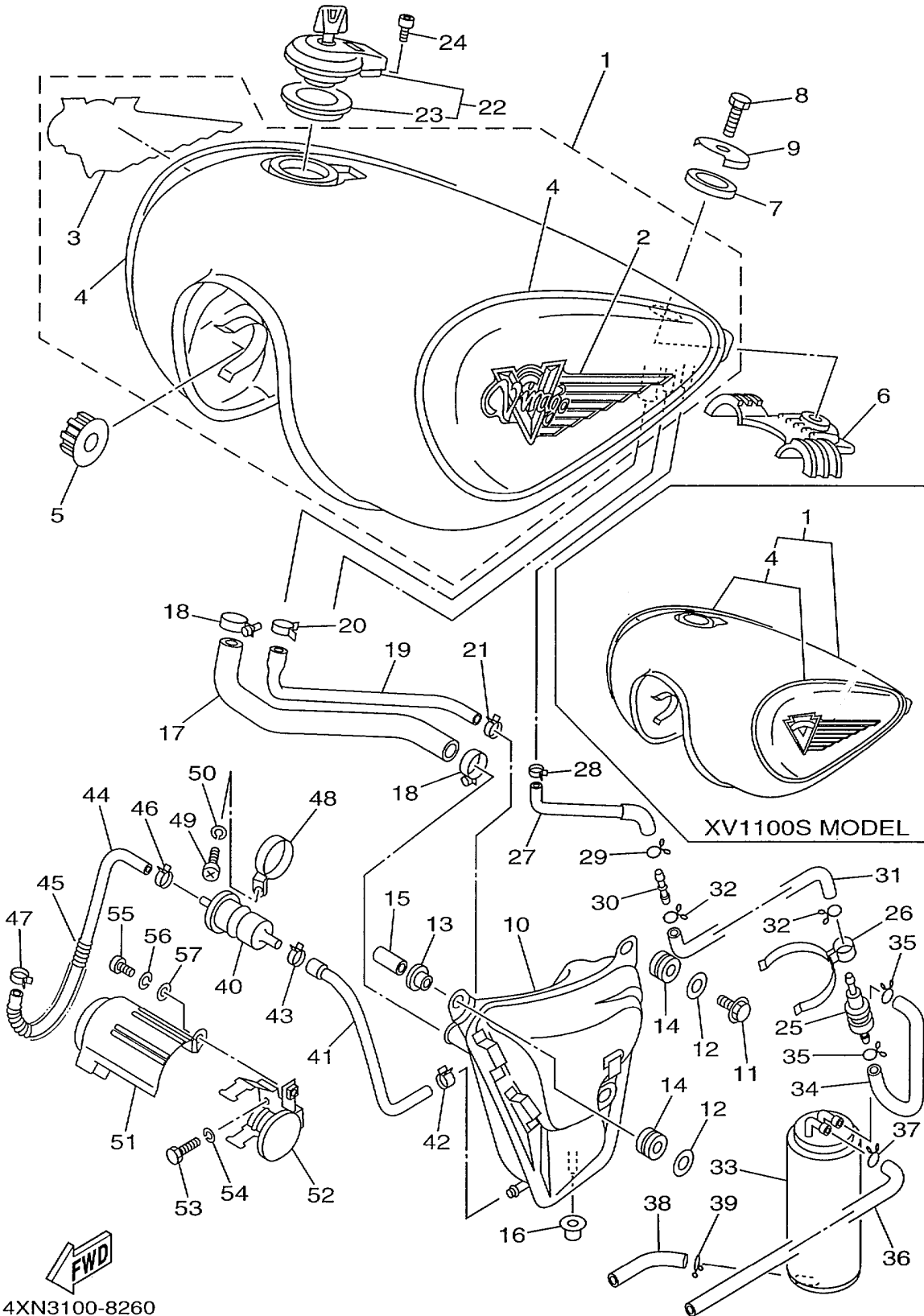
Ref. No.	Part Number	Description	Qty	Remarks
1	1TA-Y2410-00-01	FUEL TANK COMP. ....	1	DRM2/IPB
	3DR-Y2410-00-01	FUEL TANK COMP. ....	1	DRM2/IPB
2	3JL-24161-C0-00	. EMBLEM 1 .....	1	
3	3JL-24162-C0-00	. EMBLEM 2 .....	1	
4	3JL-24240-P0-00	. GRAPHIC SET .....	1	
	4XN-24240-00-00	. GRAPHIC SET .....	1	
5	4H7-24181-00-00	DAMPER, LOCATING 1 .....	2	
6	42X-24182-00-00	DAMPER, LOCATING 2 .....	1	
7	42X-24183-00-00	DAMPER, LOCATING 3 .....	1	
8	97007-08016-00	BOLT .....	1	
9	42X-24186-00-00	WASHER, SPECIAL .....	1	
10	42H-24280-00-00	TANK, FUEL .....	1	
11	91317-06020-00	BOLT .....	1	
12	90201-06557-00	WASHER, PLATE .....	2	
13	90387-062L2-00	COLLAR .....	1	
14	90480-13163-00	GROMMET .....	2	
15	90560-06258-00	SPACER .....	1	
16	90480-10408-00	GROMMET .....	1	
17	42H-24316-00-00	PIPE 6 .....	1	
18	90460-16192-00	CLAMP, HOSE .....	2	
19	42H-24317-00-00	PIPE 7 .....	1	
20	90467-12053-00	CLIP .....	1	
21	90467-10135-00	CLIP .....	1	
22	20K-24602-04-00	CAP ASSEMBLY .....	1	
	4X7-24602-04-00	CAP ASSEMBLY .....	1	
23	4X7-24612-00-00	. GASKET, CAP .....	1	
24	91317-05010-00	BOLT .....	1	
25	25H-24180-00-00	ROLL OVER VALVE ASSEMBLY .....	1	

CONTINUED ON NEXT FRAME ►

4XN3100-8260

XV1100L\_LC

# FUEL TANK



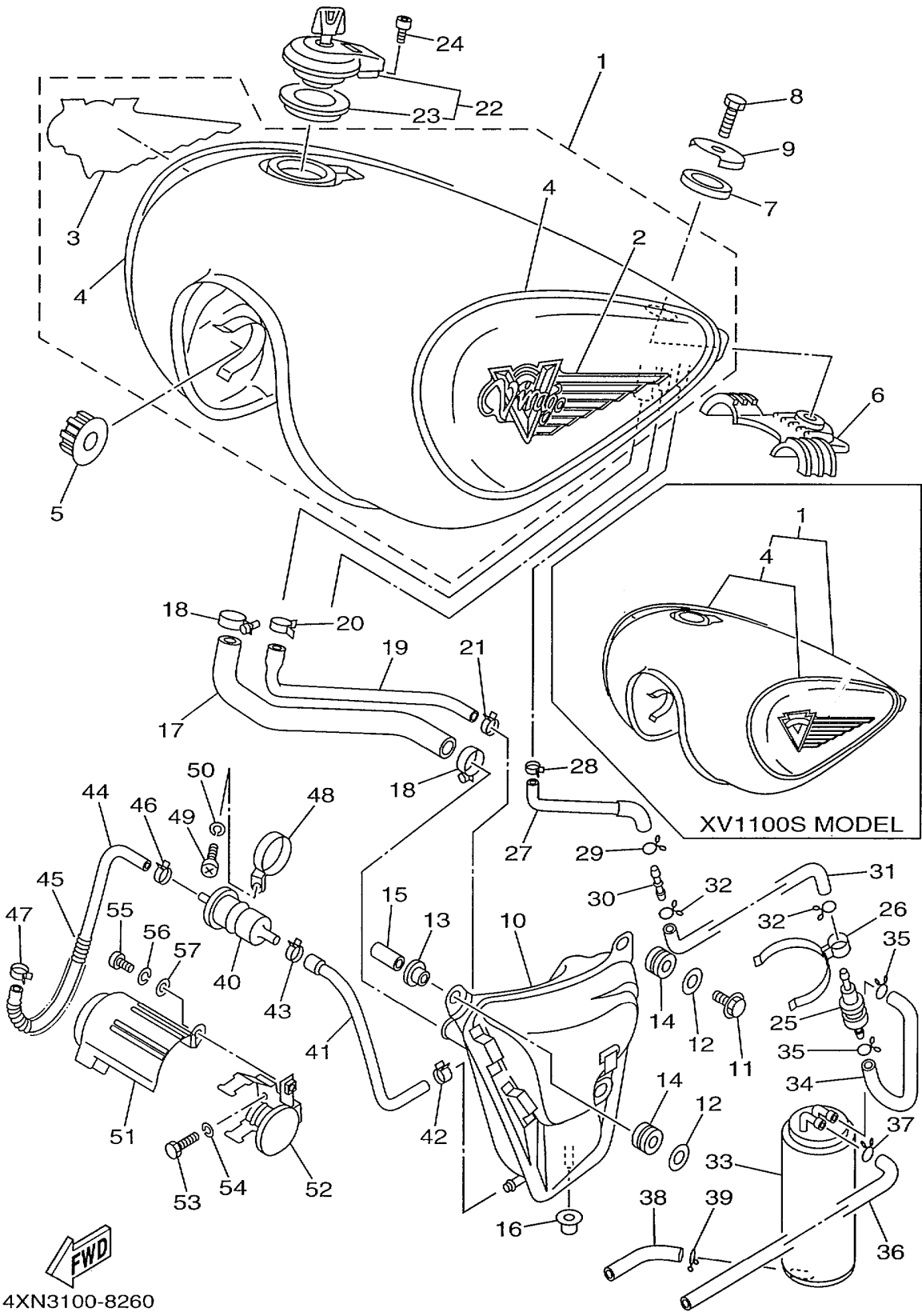
Ref. No.	Part Number	Description	Qty	Remarks
26	42H-2419A-00-00	HOLDER	1	
27	42H-24376-01-00	PIPE, JOINT 1	1	
28	90467-08092-00	CLIP	1	
29	90467-09006-00	CLIP	1	
30	42H-24119-00-00	TUBE, CONNECTING	1	
31	42H-24377-01-00	PIPE, JOINT 3	1	
32	90467-09006-00	CLIP	2	
33	42H-24170-00-00	CANISTER ASSEMBLY	1	
34	42H-24378-01-00	PIPE, JOINT 4	1	
35	90467-09006-00	CLIP	2	
36	90445-10366-00	HOSE	1	
37	90467-09006-00	CLIP	1	
38	90445-11587-00	HOSE	1	
39	90467-11106-00	CLIP	1	
40	1FK-24560-00-00	FILTER ASSEMBLY	1	
41	42H-24311-00-00	PIPE, FUEL 1	1	
42	90467-10135-00	CLIP	1	
43	90467-12053-00	CLIP	1	
44	42H-24315-00-00	PIPE 5	1	
45	90501-101J5-00	SPRING, COMPRESSION	1	
46	90467-12053-00	CLIP	1	
47	90467-10135-00	CLIP	1	
48	90465-08256-00	CLAMP	1	
49	98507-06010-00	SCREW, PAN HEAD	1	
50	92907-06100-00	WASHER, SPRING	1	
51	42H-24452-00-00	COVER	1	
52	3JK-24491-00-00	BRACKET, FUEL PUMP	1	
53	97007-06012-00	BOLT	2	
54	92907-06100-00	WASHER, SPRING	2	

CONTINUED ON NEXT FRAME ►

4XN3100-8260

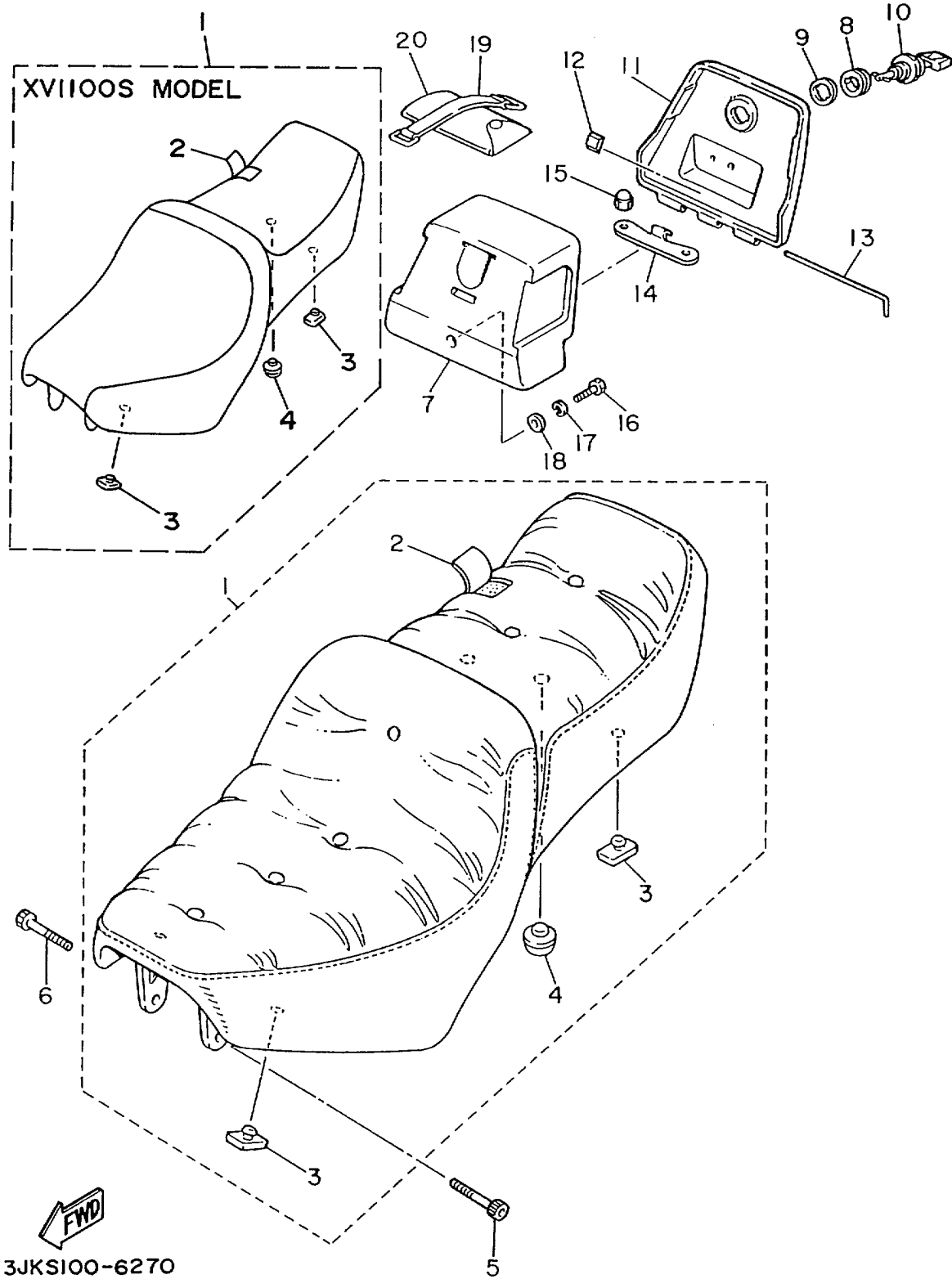
XV1100L\_LC

# FUEL TANK



Ref. No.	Part Number	Description	Qty	Remarks
55	98507-06012-00	SCREW, PAN HEAD	1	
56	92907-06100-00	WASHER, SPRING	1	
57	92907-06600-00	WASHER, PLATE (92906-06600-00)	1	

4XN3100-8260

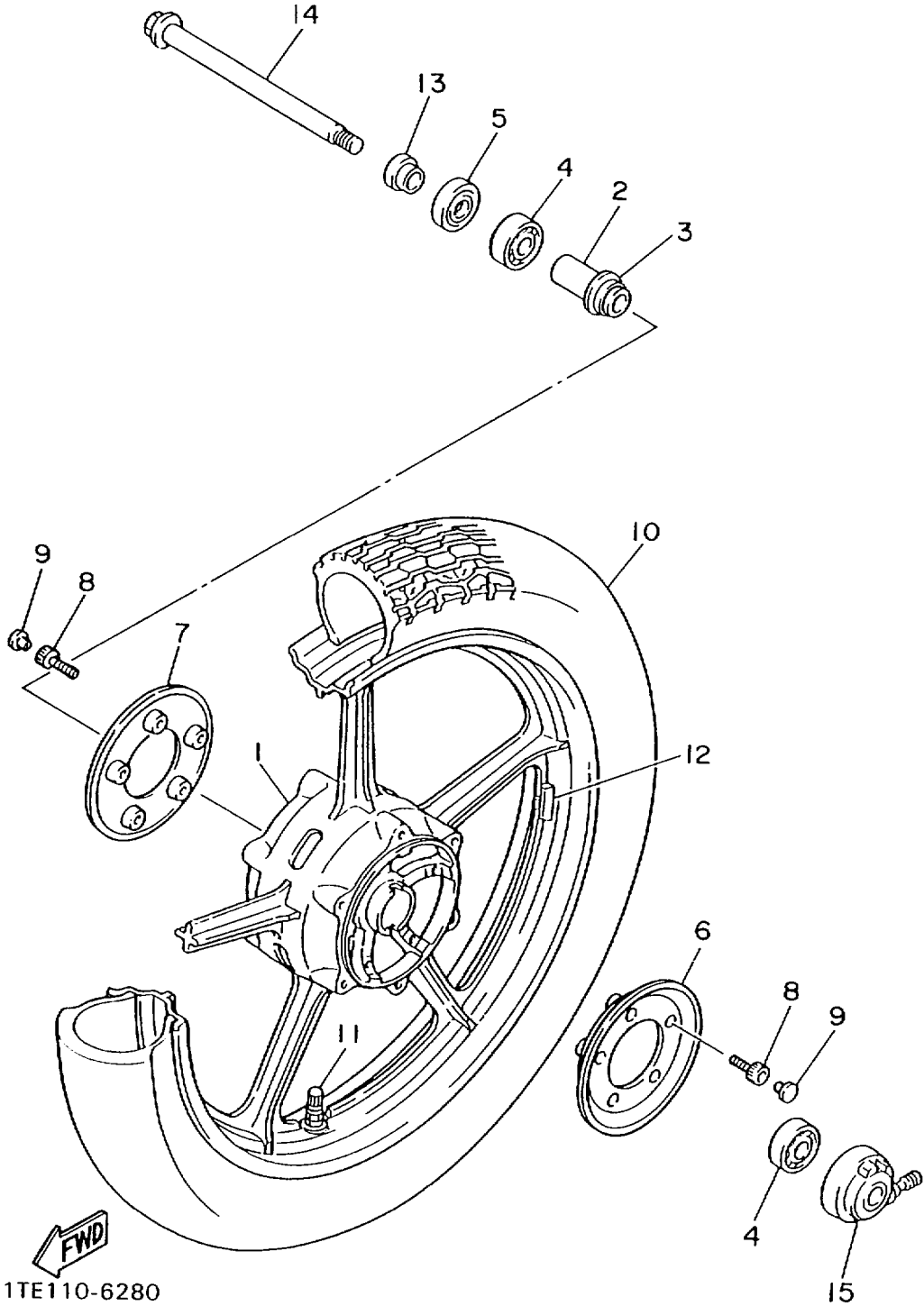


# SEAT

Ref. No.	Part Number	Description	Qty	Remarks
1	3CF-24730-10-00	DOUBLE SEAT ASSEMBLY ...	1	
2	3CF-24731-10-00	. COVER, SEAT .....	1	
3	509-24724-00-00	. DAMPER, SEAT .....	4	
4	1L9-24741-A0-00	. PAD, SEAT .....	1	
5	91317-06016-00	BOLT .....	1	
6	90110-06077-00	BOLT, HEXAGON SOCKET HEAD .....	1	
7	42X-2473R-00-00	BOX 1 .....	1	
8	90480-24186-00	GROMMET .....	1	
9	90201-225A4-00	WASHER, PLATE (T1.0) .....	1	
10	5A8-21708-00-00	LOCK ASSEMBLY 2 .....	1	
11	42X-2473T-00-00	LID 1 .....	1	
12	3CF-24723-00-00	DAMPER, SEAT .....	1	
13	42X-2177K-00-00	PIN, HINGE .....	1	
14	1RM-2162G-00-00	PLATE 1 .....	1	
15	90176-06065-00	NUT, CROWN .....	2	
16	97007-06016-00	BOLT .....	1	
17	92907-06100-00	WASHER, SPRING .....	1	
18	90201-06057-00	WASHER, PLATE .....	1	
19	5H9-21376-00-00	BAND, TOOL .....	1	
20	42X-28100-10-00	TOOL KIT .....	1	

3JKS100-6270

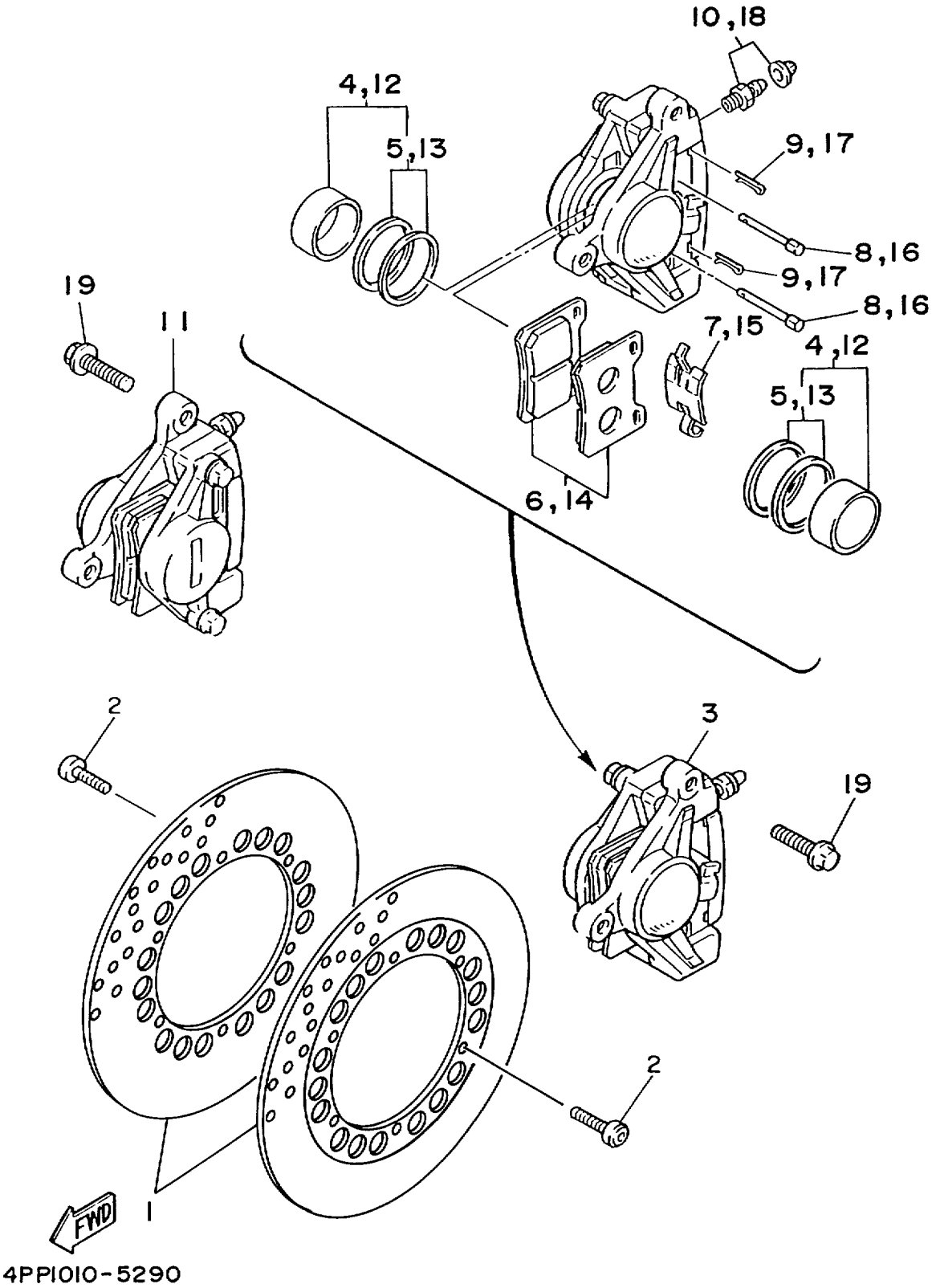
# FRONT WHEEL



Ref. No.	Part Number	Description	Qty	Remarks
1	56W-25168-00-P1	CAST WHEEL, FRONT	1	LYGM5
2	90560-15116-00	SPACER	1	
3	146-25115-00-00	FLANGE, SPACER 1	1	
4	93306-30202-00	BEARING	2	
5	93102-22014-00	OIL SEAL	1	
6	56W-2512A-00-00	CAP, WHEEL (LEFT)	1	
7	56W-2512A-10-00	CAP, WHEEL (RIGHT)	1	
8	90110-06091-00	BOLT, HEXAGON SOCKET HEAD	10	
9	90338-06162-00	PLUG	10	
10	94110-1904P-00	TIRE (100/90-19 57H)	1	UR DUNLOP
11	93900-00031-00	VALVE, RIM	1	
12	29L-25398-00-00	BALANCER, WHEEL (10G)	1	UN
	29L-25398-10-00	BALANCER, WHEEL (20G)	1	UN
	29L-25398-20-00	BALANCER, WHEEL (30G)	1	UN
13	90387-15550-00	COLLAR	1	
14	42X-25181-00-00	AXLE, WHEEL	1	
15	42X-25190-00-00	GEAR UNIT ASSEMBLY	1	

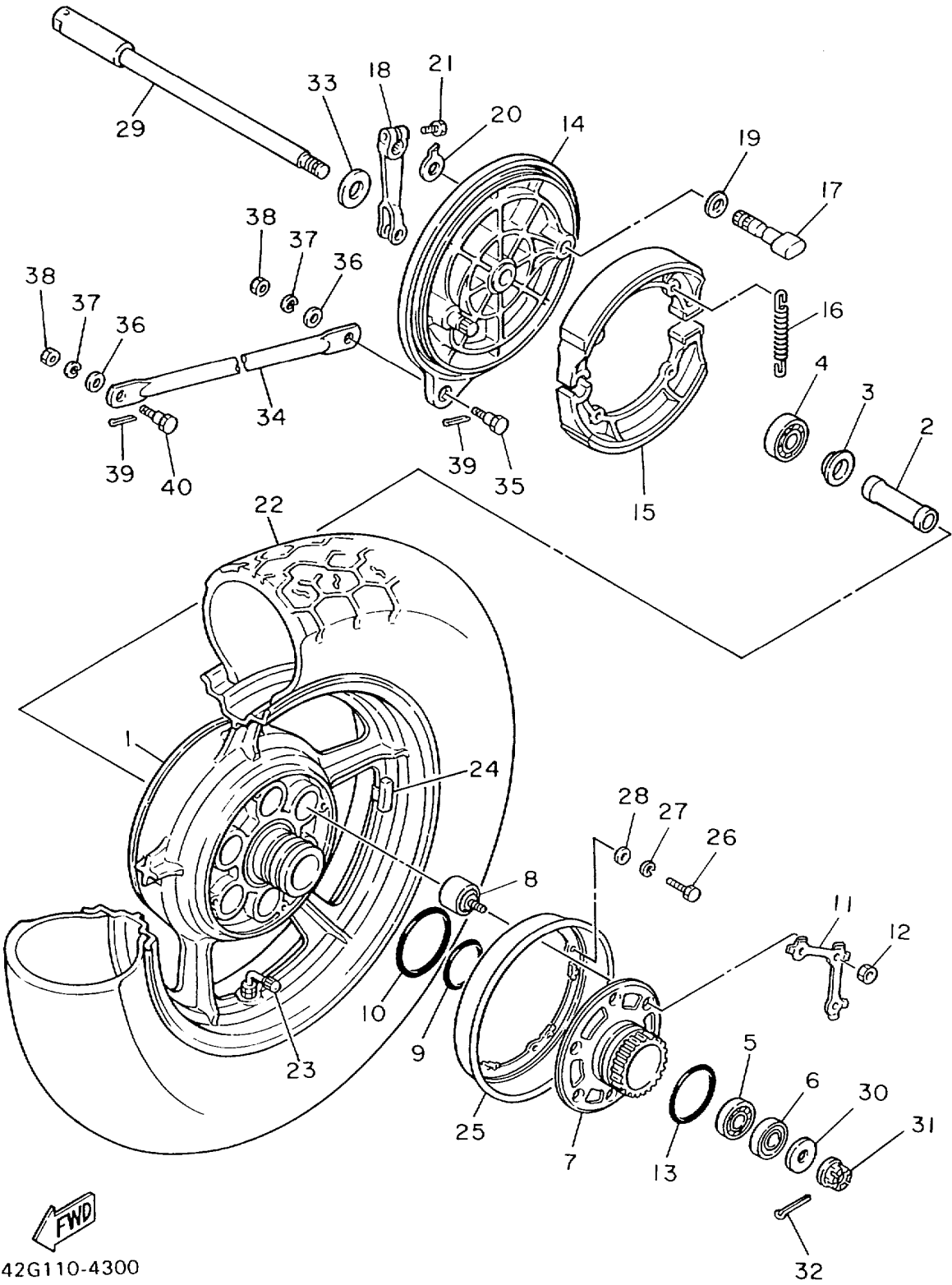
# FRONT BRAKE CALIPER

Ref. No.	Part Number	Description	Qty	Remarks
1	4PP-2582T-00-00	DISC, BRAKE	2	
2	90109-08718-00	BOLT	12	
3	42H-2580T-00-00	CALIPER ASSEMBLY (LEFT)	1	
4	26H-W0057-00-00	. PISTON ASSEMBLY, CALIPER	1	
5	26H-W0047-00-00	. . CALIPER SEAL KIT	1	
6	1FK-W0046-02-00	. BRAKE PAD KIT 2	1	
7	29L-25919-00-00	. SUPPORT, PAD	1	
8	1KT-25924-00-00	. PIN, PAD	2	
9	26H-25925-00-00	. CLIP	2	
10	26H-W0048-00-00	. BLEED SCREW KIT	1	
11	42H-2580U-00-00	CALIPER ASSEMBLY (RIGHT)	1	
12	26H-W0057-00-00	. PISTON ASSEMBLY, CALIPER	1	
13	26H-W0047-00-00	. . CALIPER SEAL KIT	1	
14	1FK-W0046-02-00	. BRAKE PAD KIT 2	1	
15	29L-25919-00-00	. SUPPORT, PAD	1	
16	1KT-25924-00-00	. PIN, PAD	2	
17	26H-25925-00-00	. CLIP	2	
18	26H-W0048-00-00	. BLEED SCREW KIT	1	
19	90105-10638-00	BOLT, WASHER BASED	4	



4PPI010-5290

# REAR WHEEL

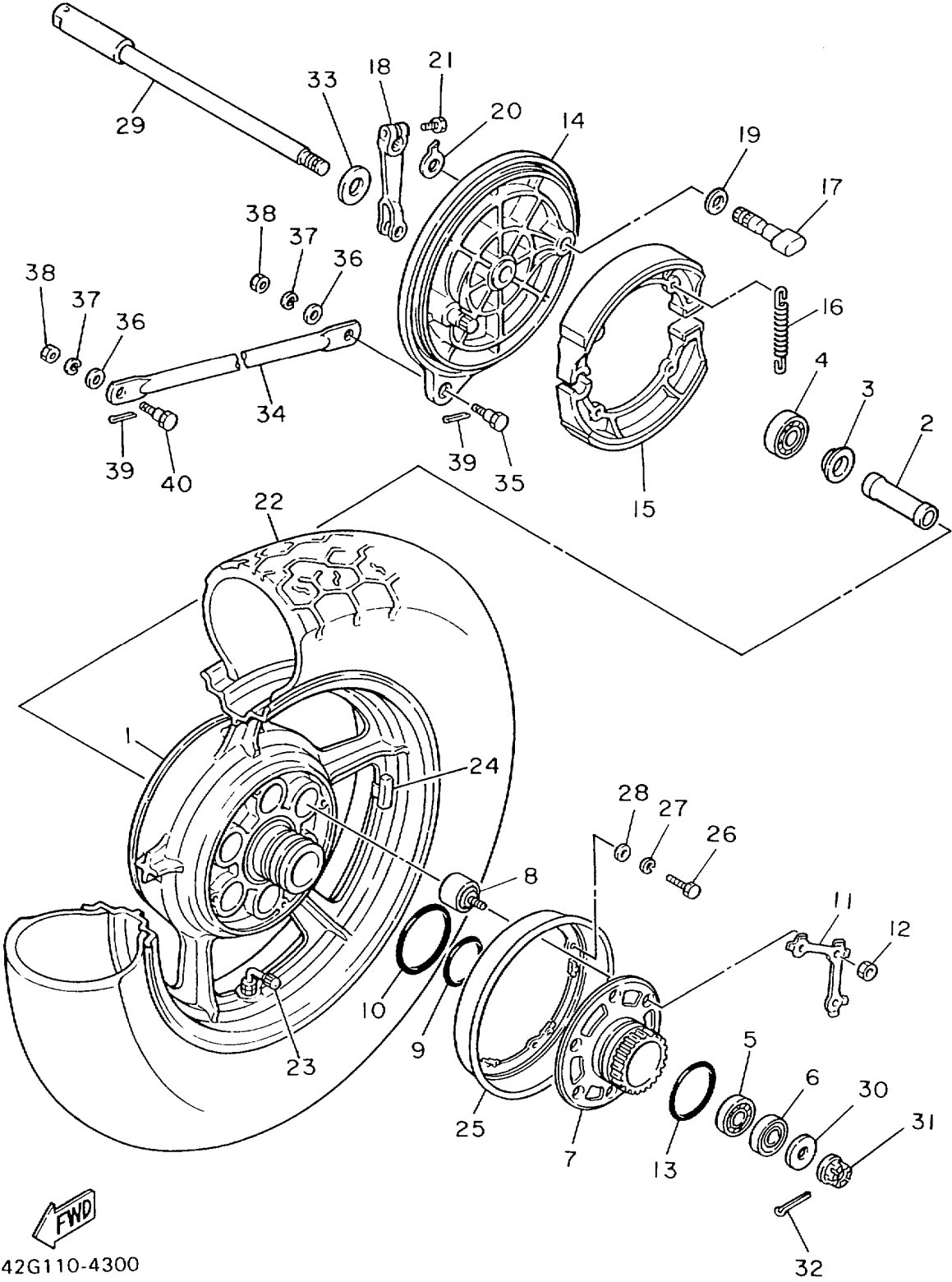


Ref. No.	Part Number	Description	Qty	Remarks
1	42H-25338-01-P1	CAST WHEEL, REAR	1	LYGM5
2	90560-17249-00	SPACER	1	
3	148-25315-00-00	FLANGE, SPACER	1	
4	93306-30306-00	BEARING (B6303)	1	
5	93306-20309-00	BEARING (B6203)	1	
6	93306-20310-00	BEARING (B6203DU)	1	
7	16G-25366-01-00	CLUTCH, HUB	1	
8	42H-25364-00-00	DAMPER	6	
9	93210-48530-00	O-RING	1	
10	93210-59531-00	O-RING	1	
11	16G-25412-00-00	WASHER	2	
12	90170-10219-00	NUT	6	
13	93210-57428-00	O-RING	1	
14	42H-25321-02-00	PLATE, BRAKE SHOE	1	
15	3DR-W2536-00-00	BRAKE SHOE SET	1	
16	90507-20002-00	SPRING, TENSION	2	
17	4H7-25351-00-00	CAMSHAFT	1	
18	3CF-25355-00-00	LEVER, CAMSHAFT	1	
19	90201-14577-00	WASHER, PLATE	1	
20	4H7-2533A-02-00	PLATE, INDICATOR	1	
21	90101-06764-00	BOLT	1	
22	94114-1504S-00	TIRE (140/90-15 70H)	1	UR DUNLOP
23	93900-00025-00	VALVE, RIM	1	
24	29L-25398-00-00	BALANCER, WHEEL (10G)	1	UN
	29L-25398-10-00	BALANCER, WHEEL (20G)	1	UN
	29L-25398-20-00	BALANCER, WHEEL (30G)	1	UN
25	16G-25327-00-00	COVER, PLATE	1	
26	97027-05020-00	BOLT	4	
27	92907-05100-00	WASHER, SPRING	4	

CONTINUED ON NEXT FRAME ►

42G110-4300

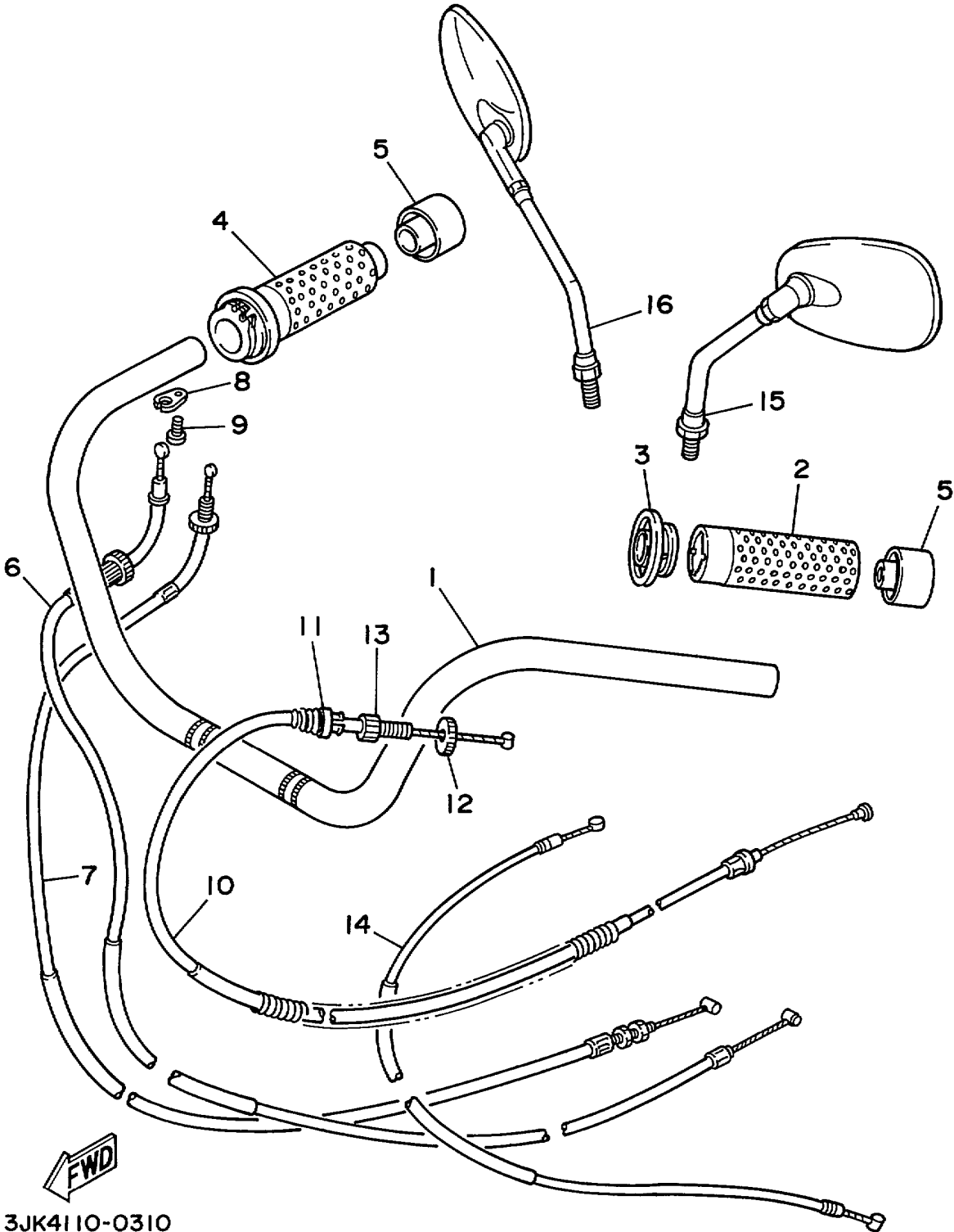
# REAR WHEEL



Ref. No.	Part Number	Description	Qty	Remarks
28	92907-05600-00	WASHER, PLATE	4	
29	42X-25381-00-00	AXLE, WHEEL	1	
30	90201-146R0-00	WASHER, PLATE	1	
31	90171-14044-00	NUT, CASTLE	1	
32	91401-30030-00	PIN, COTTER	1	
33	4H7-25377-00-00	COLLAR, WHEEL	1	
34	42X-25371-02-00	BAR, TENSION	1	
35	90109-08406-00	BOLT	1	
36	92903-08600-00	WASHER, PLATE	2	
37	92903-08100-00	WASHER, SPRING	2	
38	95304-08700-00	NUT	2	
39	91401-20015-00	PIN, COTTER	2	
40	90109-08368-00	BOLT	1	

42G110-4300

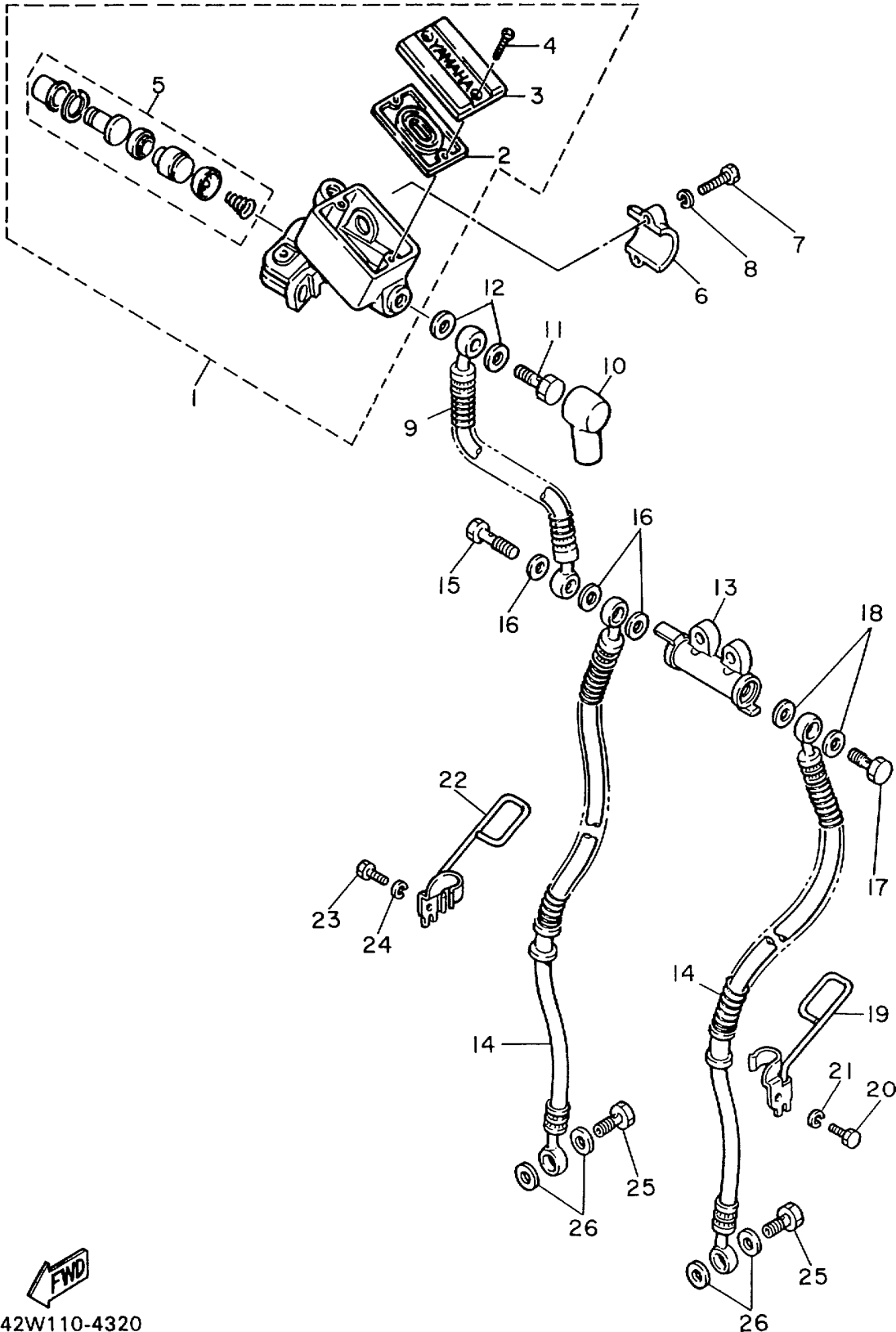
# STEERING HANDLE - CABLE



Ref. No.	Part Number	Description	Qty	Remarks
1	3CF-W2611-10-00	HANDLEBAR .....	1	
2	3JB-26241-00-00	GRIP (LEFT) .....	1	
3	3JB-26273-00-00	ROTOR .....	1	
4	3JB-26240-00-00	GRIP ASSEMBLY .....	1	
5	3JB-2628J-00-00	CAP, GRIP .....	2	
6	3CF-26311-00-00	CABLE, THROTTLE 1 .....	1	
7	3CF-26312-00-00	CABLE, THROTTLE 2 .....	1	
8	5H0-26393-00-00	HOLDER .....	1	
9	98507-05008-00	SCREW, PAN HEAD .....	1	
10	57A-26335-00-00	CABLE, CLUTCH .....	1	
11	1E6-26342-00-00	BOOT, CABLE .....	1	
12	90179-08148-00	NUT .....	1	
13	90123-08046-00	BOLT .....	1	
14	3CF-26331-01-00	CABLE, STARTER 1 .....	1	
15	1AA-26280-02-00	REAR VIEW MIRROR ASSEMBLY (LEFT) .....	1	
16	1AA-26290-02-00	REAR VIEW MIRROR ASSEMBLY (RIGHT) .....	1	

3JK4110-0310

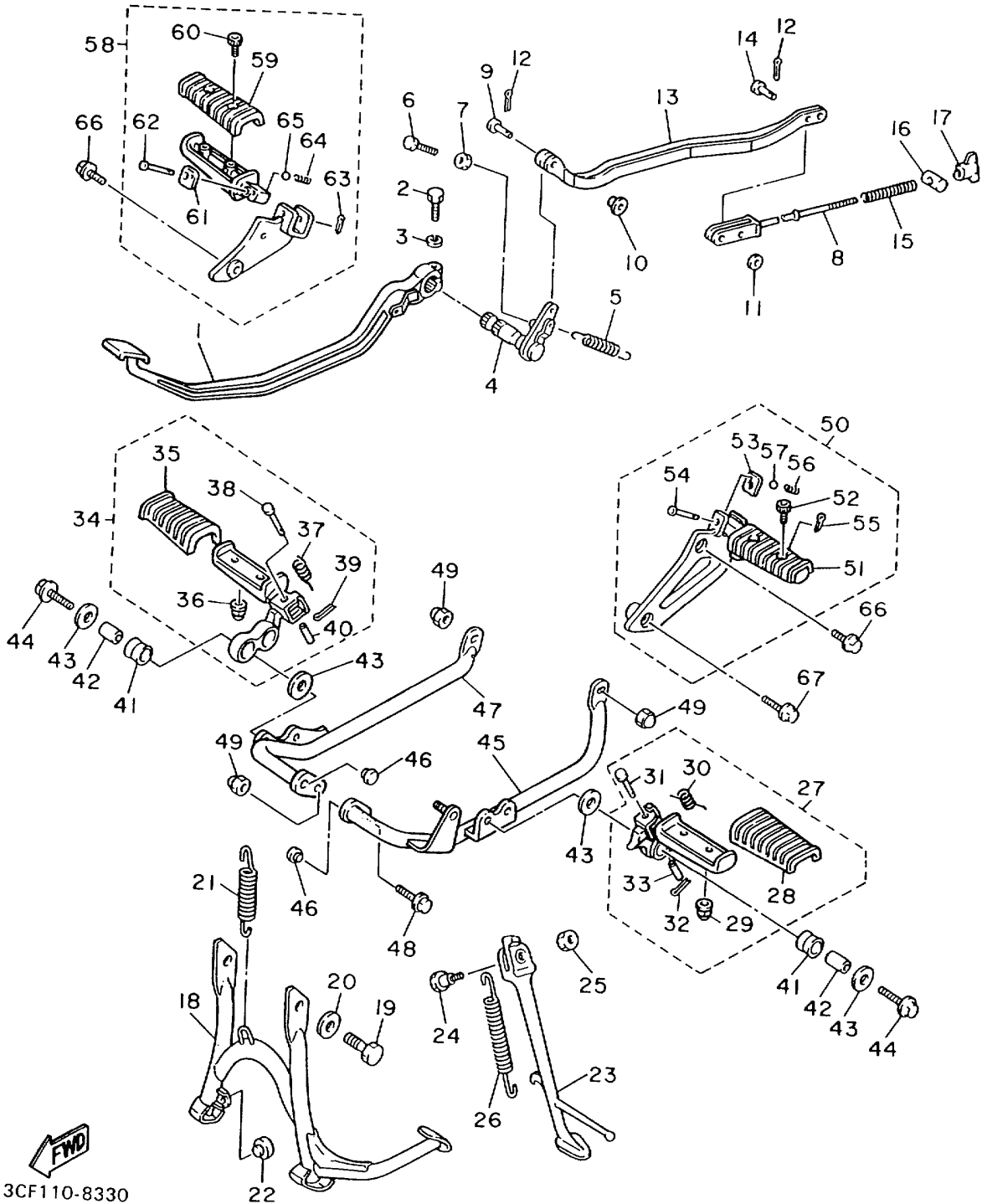
# FRONT MASTER CYLINDER



Ref. No.	Part Number	Description	Qty	Remarks
1	22R-25850-02-00	MASTER CYLINDER ASSEMBLY	1	
2	4K0-25854-00-00	. DIAPHRAGM, RESERVOIR	1	
3	2GV-25852-00-00	. CAP, RESERVOIR	1	
4	98706-04012-00	. SCREW, FLAT HEAD	2	
5	4K0-W0041-50-00	. CYLINDER KIT, MASTER	1	
6	4L0-25867-00-00	BRACKET, MASTER CYLINDER	1	
7	97007-06025-00	BOLT	2	
8	92907-06600-00	WASHER, PLATE (92906-06600-00)	2	
9	42H-25872-02-00	HOSE, BRAKE 1	1	
10	4L0-25862-01-00	BOOT, MASTER CYLINDER	1	
11	90401-10159-00	BOLT, UNION	1	
12	90201-10118-00	WASHER, PLATE	2	
13	42H-25885-01-00	JOINT	1	
14	42H-25873-02-00	HOSE, BRAKE 2	2	
15	90401-10160-00	BOLT, UNION	1	
16	90201-10118-00	WASHER, PLATE	3	
17	90401-10159-00	BOLT, UNION	1	
18	90201-10118-00	WASHER, PLATE	2	
19	42X-25875-00-00	HOLDER, BRAKE HOSE 1	1	
20	97007-06010-00	BOLT	1	
21	92907-06100-00	WASHER, SPRING	1	
22	42X-25876-00-00	HOLDER, BRAKE HOSE 2	1	
23	97007-06010-00	BOLT	1	
24	92907-06100-00	WASHER, SPRING	1	
25	90401-10159-00	BOLT, UNION	2	
26	90201-10118-00	WASHER, PLATE	4	

  
42W110-4320

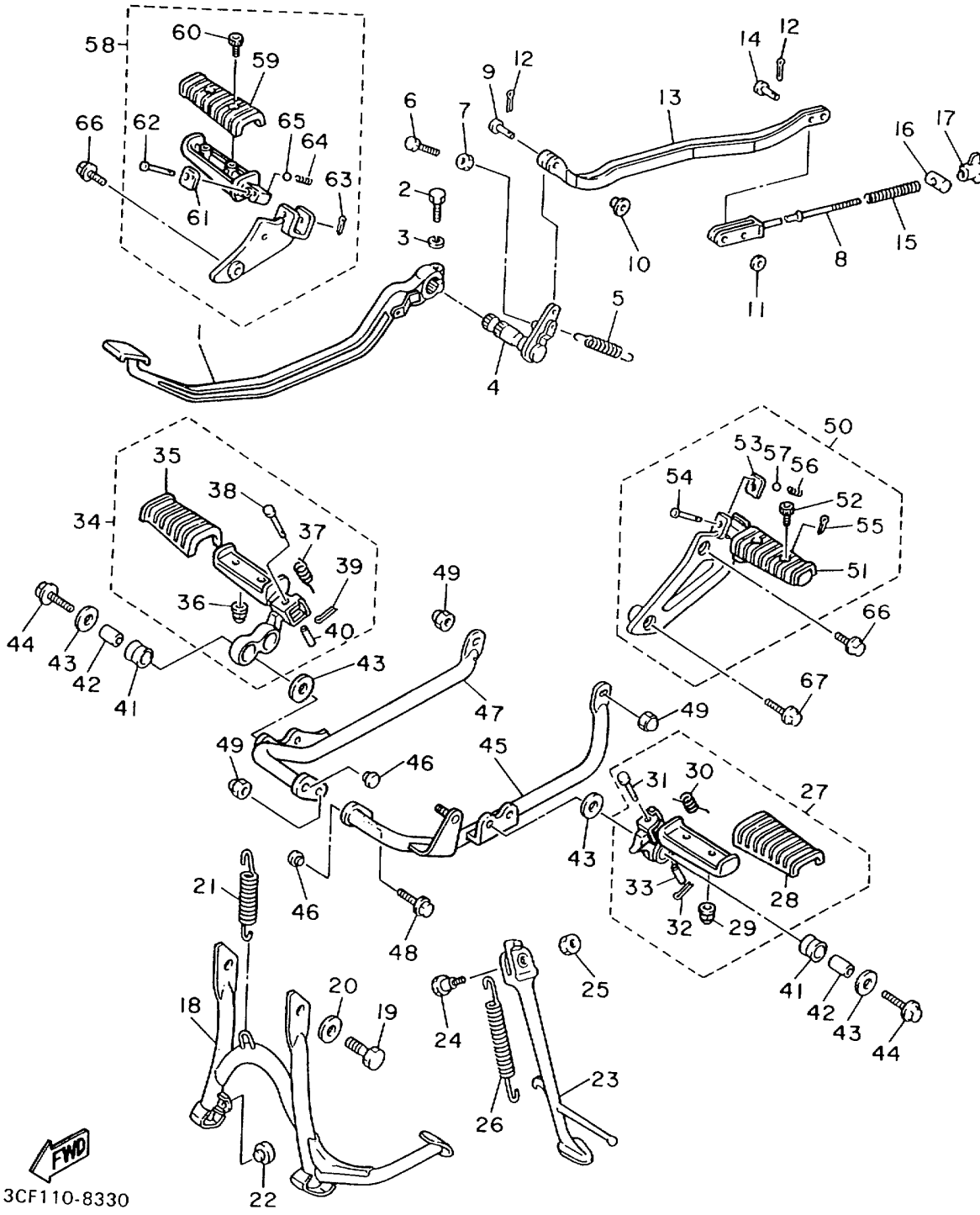
# STAND - FOOTREST



Ref. No.	Part Number	Description	Qty	Remarks
1	3CF-27211-00-93	PEDAL, BRAKE	1	CM
2	90109-06468-00	BOLT	1	
3	92903-06100-00	WASHER, SPRING	1	
4	42X-27212-01-00	SHAFT, BRAKE PEDAL	1	
5	90506-20192-00	SPRING, TENSION	1	
6	90101-06478-00	BOLT	1	
7	90170-06184-00	NUT	1	
8	3CF-27231-01-00	ROD, BRAKE	1	
9	90240-06057-00	PIN, CLEVIS	1	
10	90560-06201-00	SPACER	1	
11	92907-06200-00	WASHER	2	
12	91401-20012-00	PIN, COTTER	3	
13	3CF-27241-00-00	ROD, JOINT	1	
14	90240-06103-00	PIN, CLEVIS	2	
15	90501-10245-00	SPRING, COMPRESSION	1	
16	90249-12008-00	PIN	1	
17	90175-06019-00	NUT, WING	1	
18	42X-27111-00-R4	STAND, MAIN	1	HPB
19	97007-10016-00	BOLT	2	
20	90201-10141-00	WASHER, PLATE	2	
21	90506-35149-00	SPRING, TENSION	1	
22	371-27114-00-00	STOPPER, MAIN STAND	1	
23	42X-27311-00-93	STAND, SIDE	1	CM
24	90109-101G3-00	BOLT	1	
25	95304-10700-00	NUT	1	
26	90507-29009-00	SPRING, TENSION	1	
27	3CF-27410-00-93	FRONT FOOTREST ASSEMBLY (LEFT)	1	CM
28	1NH-27413-00-00	. COVER, FOOTREST	1	

CONTINUED ON NEXT FRAME ►

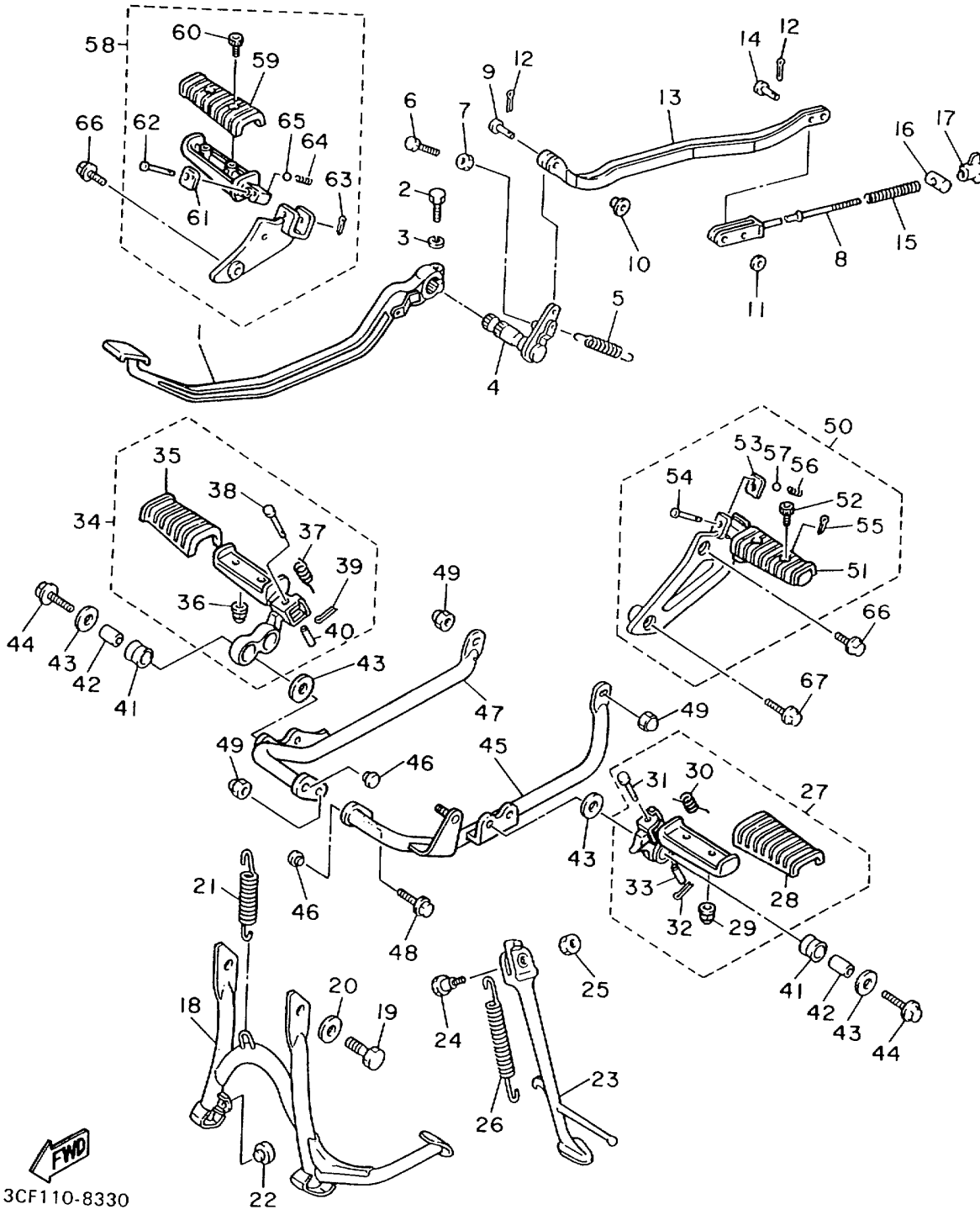
# STAND - FOOTREST



Ref. No.	Part Number	Description	Qty	Remarks
29	95601-06100-00	. NUT, U	2	
30	90508-18696-00	. SPRING, TORSION	1	
31	90240-08084-00	. PIN, CLEVIS	1	
32	91401-25015-00	. PIN, COTTER	1	
33	90387-087K5-00	. COLLAR	1	
34	1RM-27420-00-93	FRONT FOOTREST ASSEMBLY (RIGHT)	1	CM
35	1NH-27413-00-00	. COVER, FOOTREST	1	
36	95607-06100-00	. NUT, U	2	
37	90508-18696-00	. SPRING, TORSION	1	
38	90240-08084-00	. PIN, CLEVIS	1	
39	91401-25015-00	. PIN, COTTER	1	
40	90387-087K5-00	. COLLAR	1	
41	4X7-27414-00-00	DAMPER, FOOTREST	4	
42	90387-107A7-00	COLLAR	4	
43	90201-100A1-00	WASHER, PLATE	8	
44	90109-100G0-00	BOLT	4	
45	3CF-27471-02-00	BAR, FOOTREST 1	1	
46	90338-09161-00	PLUG	2	
47	3CF-27472-02-00	BAR, FOOTREST 2	1	
48	90105-10050-00	BOLT, WASHER BASED	1	
49	90176-10075-00	NUT, CROWN	3	
50	1RM-27430-02-00	REAR FOOTREST ASSEMBLY 1	1	
51	1NH-27433-00-00	. COVER, REAR FOOTREST	1	
52	98516-06012-00	. SCREW, PAN HEAD (98506-06012-00)	2	
53	1HX-27437-00-00	. WASHER, SPECIAL	1	
54	91701-06038-00	. PIN, CLEVIS	1	
55	91401-16012-00	. PIN, COTTER	1	

CONTINUED ON NEXT FRAME ►

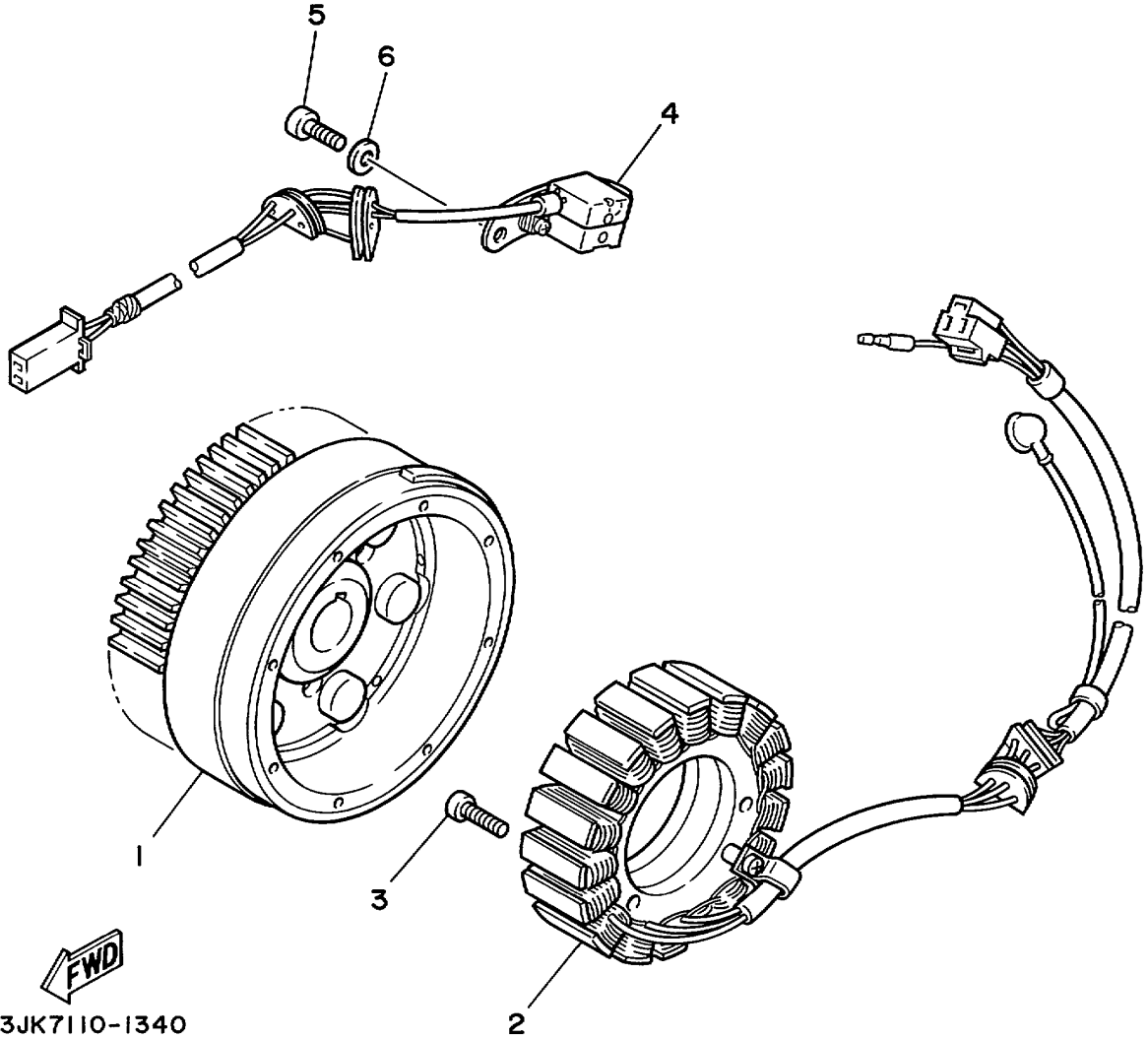
# STAND - FOOTREST



3CF110-8330

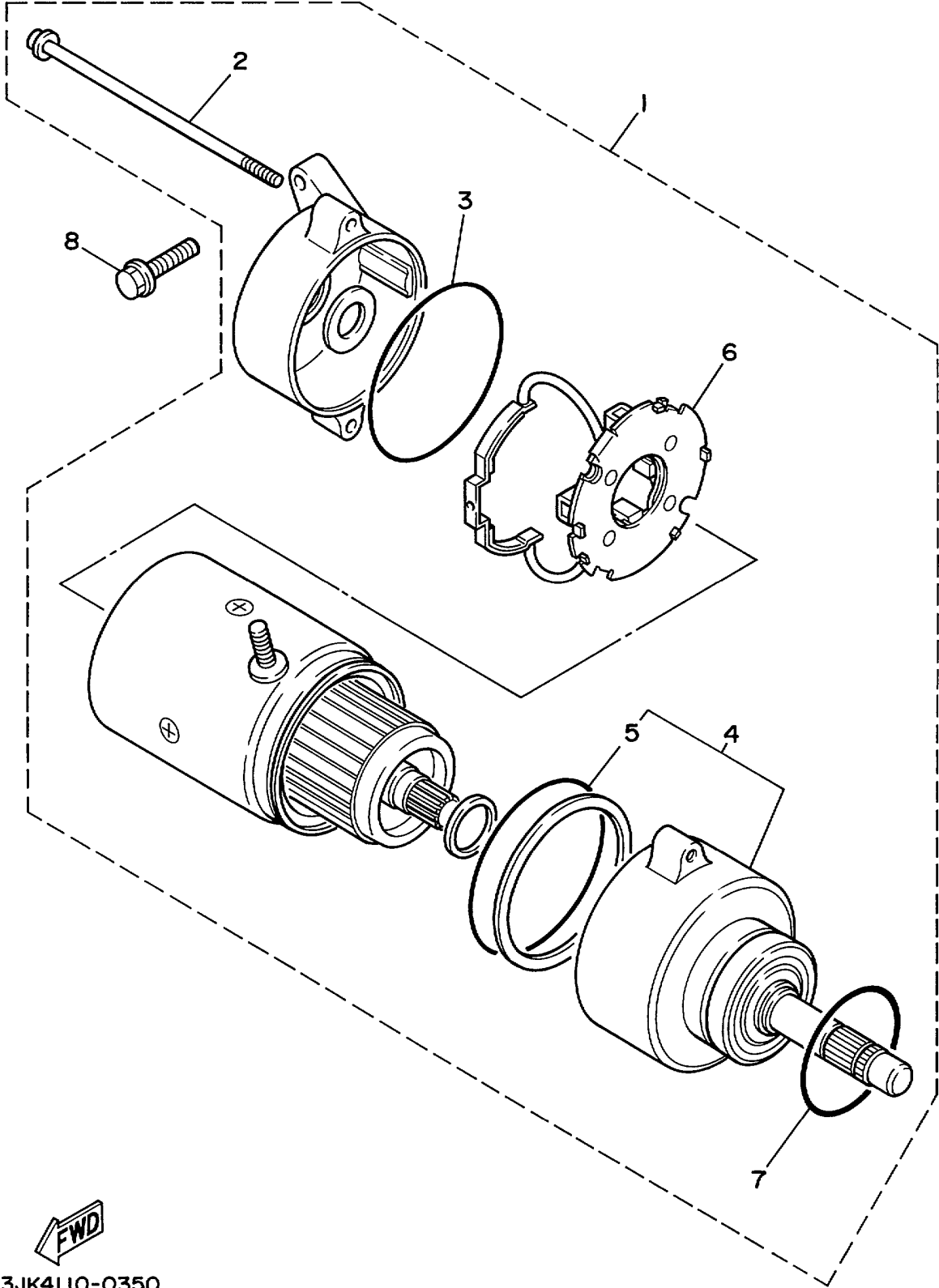
Ref. No.	Part Number	Description	Qty	Remarks
56	90501-12743-00	. SPRING, COMPRESSION	1	
57	93501-04004-00	. BALL	1	
58	1RM-27440-01-00	REAR FOOTREST ASSEMBLY 2	1	
59	1NH-27433-00-00	. COVER, REAR FOOTREST	1	
60	98516-06012-00	. SCREW, PAN HEAD (98506-06012-00)	2	
61	1HX-27437-00-00	. WASHER, SPECIAL	1	
62	91701-06038-00	. PIN, CLEVIS	1	
63	91401-16012-00	. PIN, COTTER	1	
64	90501-12743-00	. SPRING, COMPRESSION	1	
65	93501-04004-00	. BALL	1	
66	95024-08020-00	BOLT, FLANGE	3	
67	95024-08045-00	BOLT, FLANGE	1	

# GENERATOR



Ref. No.	Part Number	Description	Qty	Remarks
1	3JK-81450-00-00	ROTOR ASSEMBLY .....	1	
2	1TA-81410-20-00	STATOR ASSEMBLY .....	1	
3	91317-06030-00	BOLT .....	3	
4	3JK-81670-00-00	PICK-UP ASSEMBLY .....	1	
5	91317-06016-00	BOLT .....	2	
6	90201-06674-00	WASHER, PLATE .....	2	

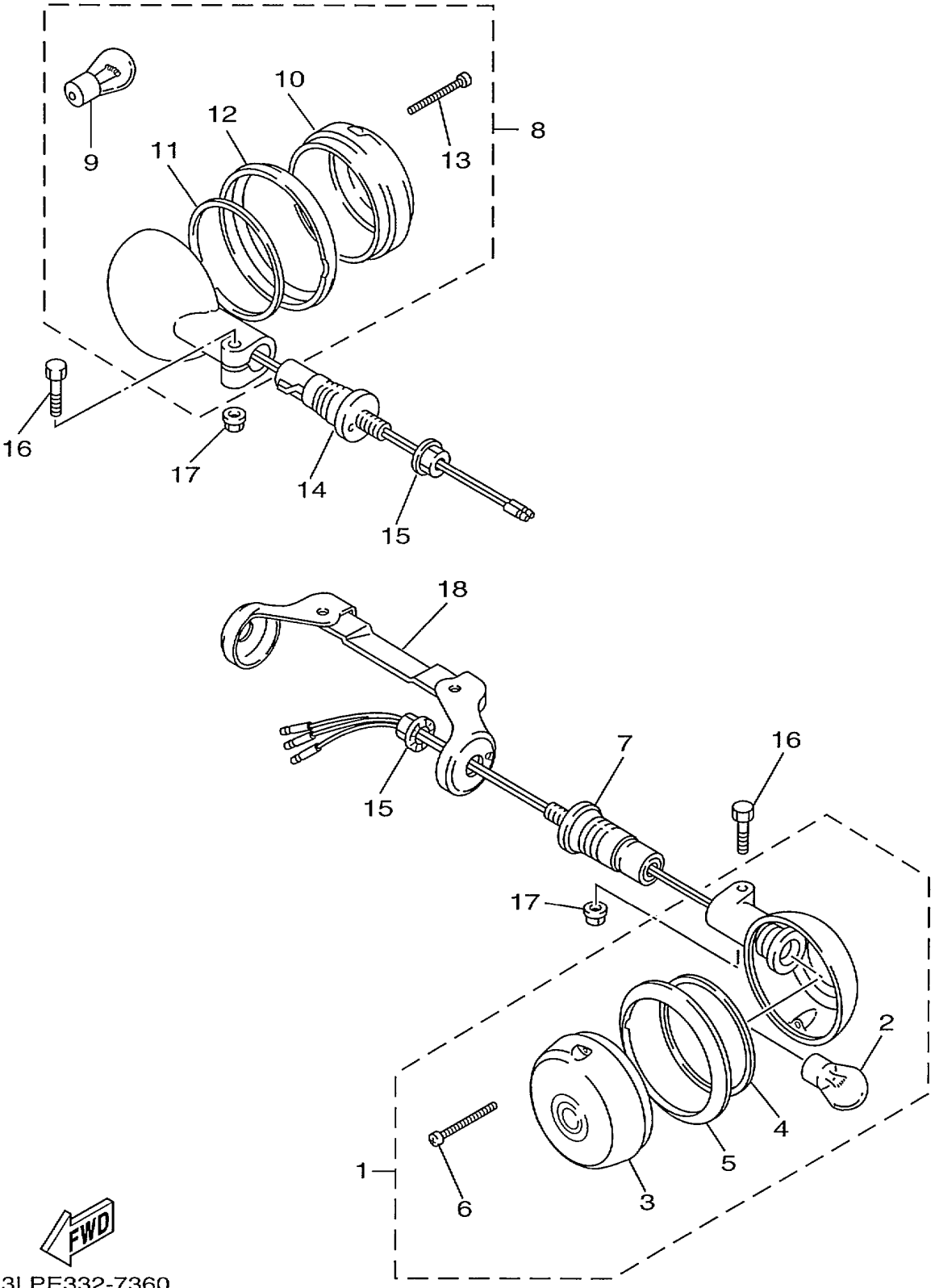
# STARTING MOTOR



Ref. No.	Part Number	Description	Qty	Remarks
1	5A8-81800-10-00	STARTING MOTOR ASSEMBLY	1	
2	5A8-81826-10-00	. BOLT .....	2	
3	11H-81844-00-00	. GASKET .....	1	
4	5A8-81830-10-00	. FRONT BRACKET ASSEMBLY	1	
5	5A8-81847-10-00	.. O-RING .....	1	
6	5A8-81840-10-00	. BRUSH HOLDER ASSEMBLY	1	
7	1J7-81847-60-00	. O-RING .....	1	
8	95814-06025-00	BOLT, FLANGE .....	2	

  
3JK4110-0350

# FLASHER LIGHT

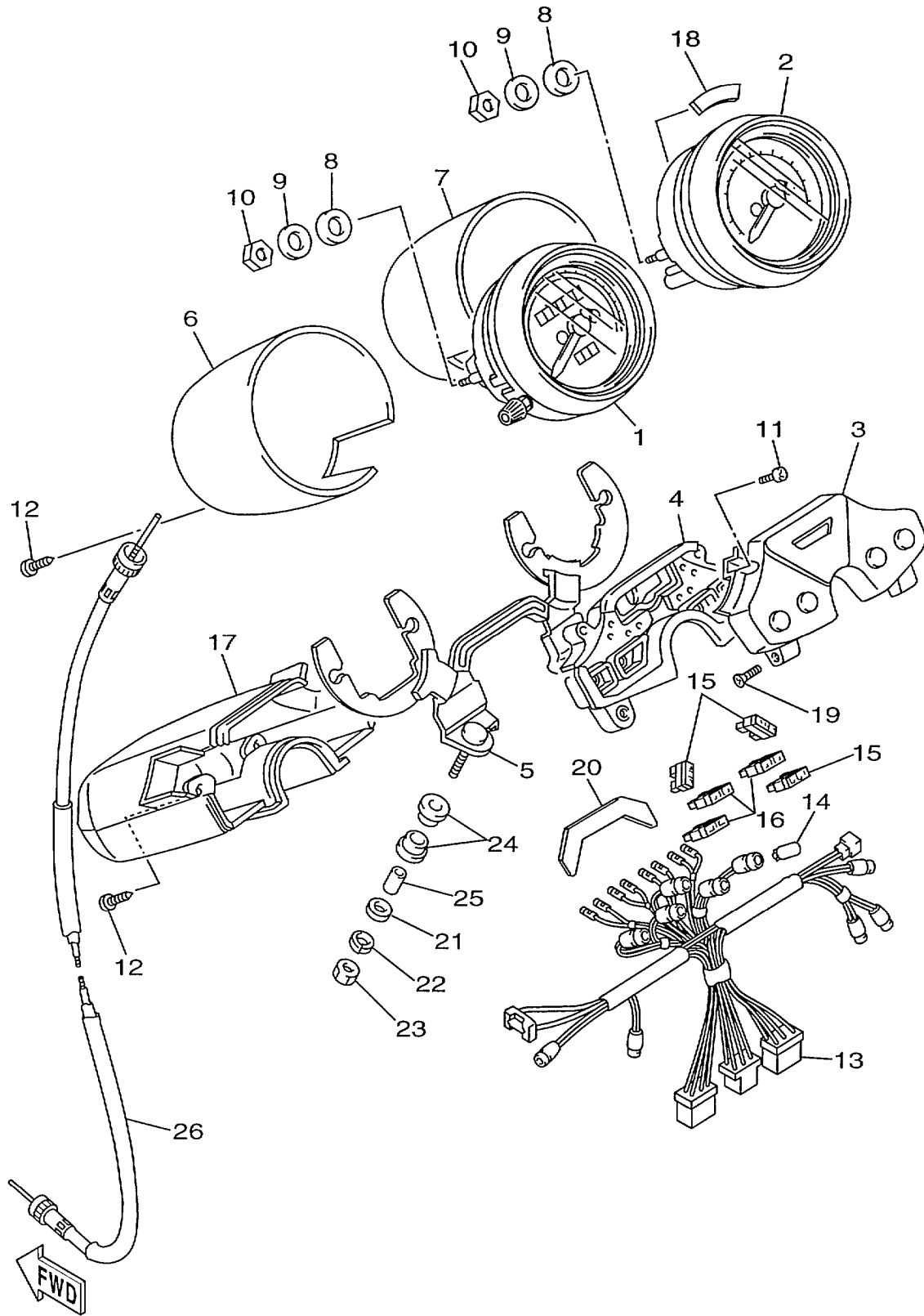


Ref. No.	Part Number	Description	Qty	Remarks
1	42X-83310-K0-00	FRONT FLASHER LIGHT ASSEMBLY 1	2	
2	256-84714-61-00	. BULB (12V-27/8W)	1	
3	42X-83312-00-00	. LENS, FLASHER	1	
4	42X-83313-00-00	. GASKET, FLASHER LENS	1	
5	42X-83363-00-00	. LENS, RIM	1	
6	57M-83358-00-00	. SCREW, SPECIAL	2	
7	1AA-83318-00-00	STAY, FLASHER 1	2	
8	42X-83330-K0-00	REAR FLASHER LIGHT ASSEMBLY 1	2	
9	256-83311-70-00	. BULB (12V-27W)	1	
10	42X-83312-00-00	. LENS, FLASHER	1	
11	42X-83313-00-00	. GASKET, FLASHER LENS	1	
12	42X-83363-00-00	. LENS, RIM	1	
13	57M-83358-00-00	. SCREW, SPECIAL	2	
14	1AA-83318-00-00	STAY, FLASHER 1	2	
15	95707-12500-00	NUT, FLANGE	4	
16	95024-06030-00	BOLT, FLANGE	4	
17	95704-06500-00	NUT, FLANGE	4	
18	42X-83328-00-00	STAY, FLASHER 2	1	



3LPE332-7360

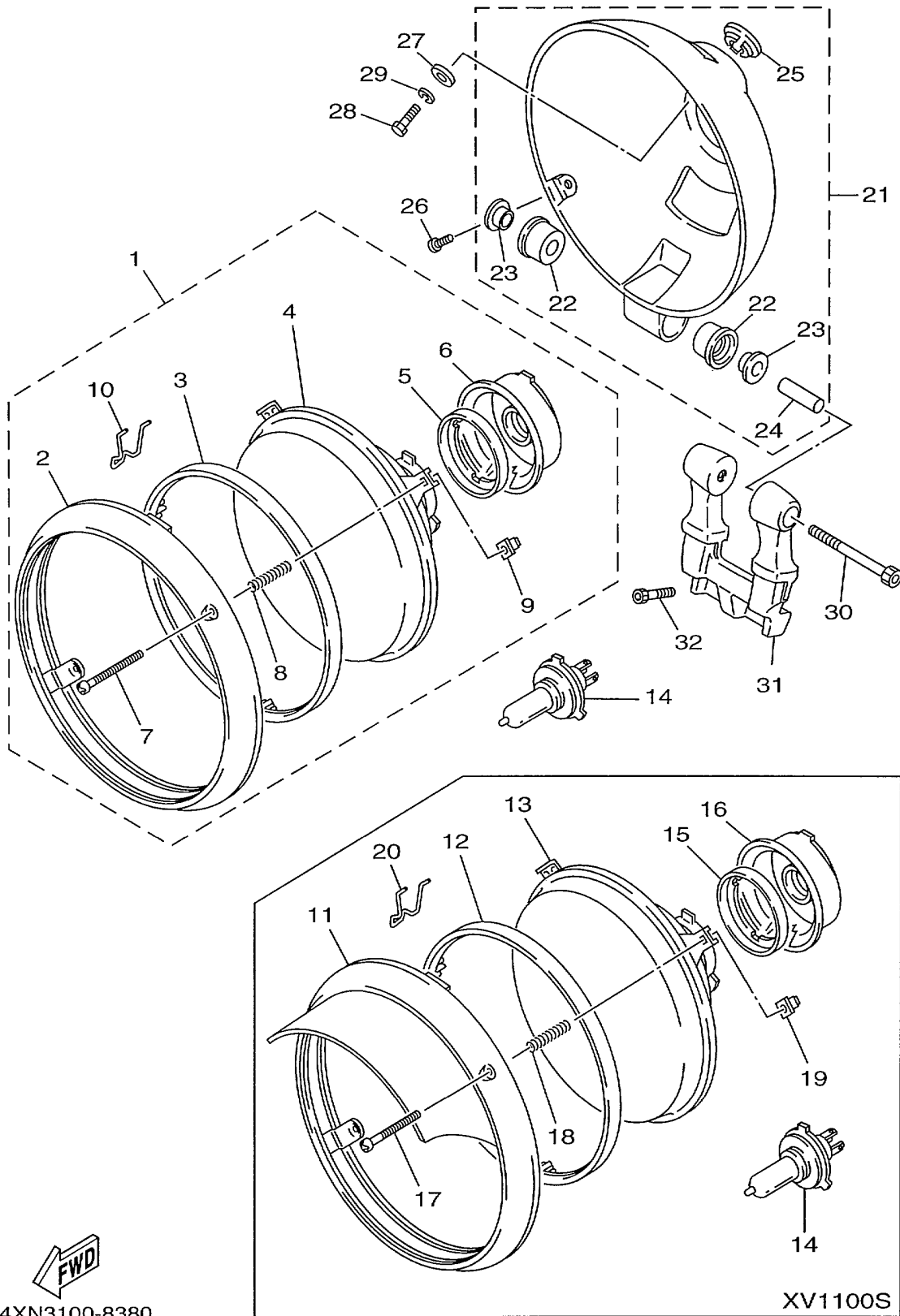
# METER



Ref. No.	Part Number	Description	Qty	Remarks
1	1RM-83570-A0-00	SPEEDOMETER ASSEMBLY ..	1	
2	1RM-83540-00-00	TACHOMETER ASSEMBLY ...	1	
3	3CF-8353E-01-00	CASE, METER UPPER .....	1	
4	3CF-8353H-00-00	CASE, UNDER .....	1	
5	1FG-83519-00-00	BRACKET, METER .....	1	
6	42X-83507-00-00	COVER, SPEEDOMETER .....	1	METALLIC CHROME
7	42X-83508-00-00	COVER, TACHOMETER .....	1	METALLIC CHROME
8	12R-83523-00-00	DAMPER .....	4	
9	90201-05725-00	WASHER, PLATE .....	4	
10	95307-05600-00	NUT .....	4	
11	98507-04008-00	SCREW, PAN HEAD .....	2	
12	97707-40014-00	SCREW, TAPPING .....	6	
13	1RM-83509-00-00	SOCKET CORD ASSEMBLY ..	1	
14	42X-83517-00-00	BULB (12V-3W) .....	10	
15	42X-82151-30-00	FUSE .....	3	
16	42X-82151-20-00	FUSE (10A) .....	3	
17	42X-83559-00-00	COVER, METER .....	1	
18	1FK-83523-00-00	DAMPER .....	1	
19	98707-04010-00	SCREW, FLAT HEAD .....	2	
20	55R-83579-00-00	COVER, METER 2 .....	1	
21	92907-06200-00	WASHER .....	2	
22	92907-06100-00	WASHER, SPRING .....	2	
23	95307-06600-00	NUT .....	2	
24	584-83541-00-00	DAMPER .....	4	
25	90387-06249-00	COLLAR .....	2	
26	57A-83550-00-00	SPEEDOMETER CABLE ASSEMBLY .....	1	

3LPE332-7370

# HEADLIGHT

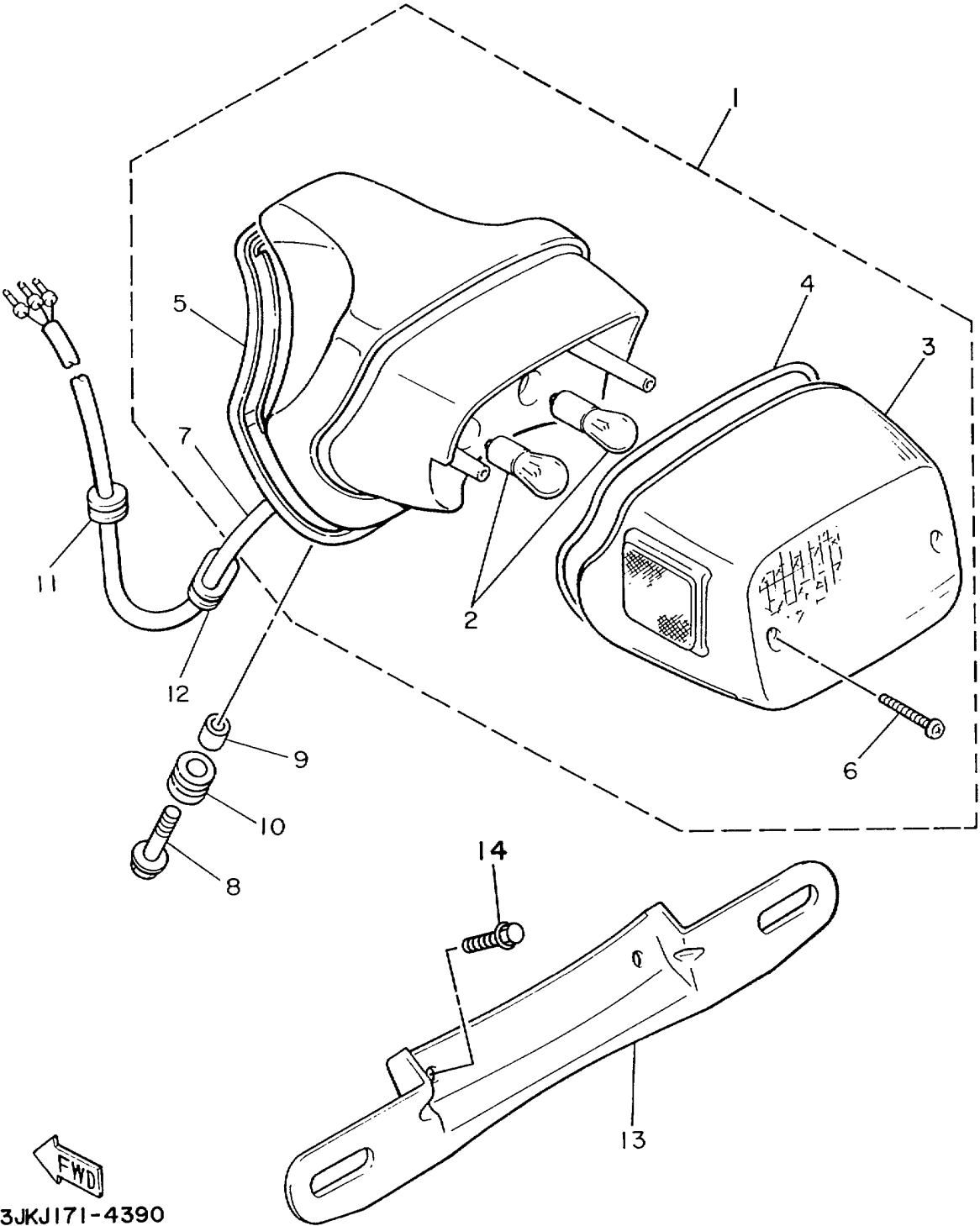


Ref. No.	Part Number	Description	Qty	Remarks
1	42X-84303-A1-00	HEADLIGHT UNIT ASSEMBLY	1	
2	42X-84315-01-00	. RIM, HEADLIGHT	1	
3	5Y3-84395-00-00	. RING, RETAINING	1	
4	42X-84321-A0-00	. LENS ASSEMBLY	1	
5	2F9-84375-00-00	. SETTING PLATE, BULB	1	
6	2F9-84397-01-00	. COVER, SOCKET	1	
7	341-84331-60-00	. SCREW, RIM ADJUSTING	2	
8	1A0-84332-60-00	. SPRING, SCREW	2	
9	198-84334-60-00	. NUT, ADJUSTING	2	
10	42X-84124-60-00	. SPRING, SET	1	
14	2F9-84314-00-00	BULB (12V-60/55W)	1	(H4)HALOGEN
21	2UJ-84330-00-00	BODY ASSEMBLY	1	
22	42X-84345-00-00	. DAMPER, HEADLIGHT	2	
23	1FK-84338-00-00	. COLLAR, BODY FITTING	2	
24	2UJ-84338-00-00	. COLLAR, BODY FITTING	1	
25	42X-84366-00-00	. DAMPER, HEADLIGHT 1	1	
26	90157-05084-00	SCREW, PAN HEAD	2	
27	90201-060A3-00	WASHER, PLATE	1	
28	97007-06016-00	BOLT	1	
29	92907-06100-00	WASHER, SPRING	1	
30	91317-06055-00	BOLT	1	
31	42X-84318-01-00	STAY, HEADLIGHT 1	1	
32	91317-06025-00	BOLT	2	

**FWD**  
4XN3100-8380

XV1100S

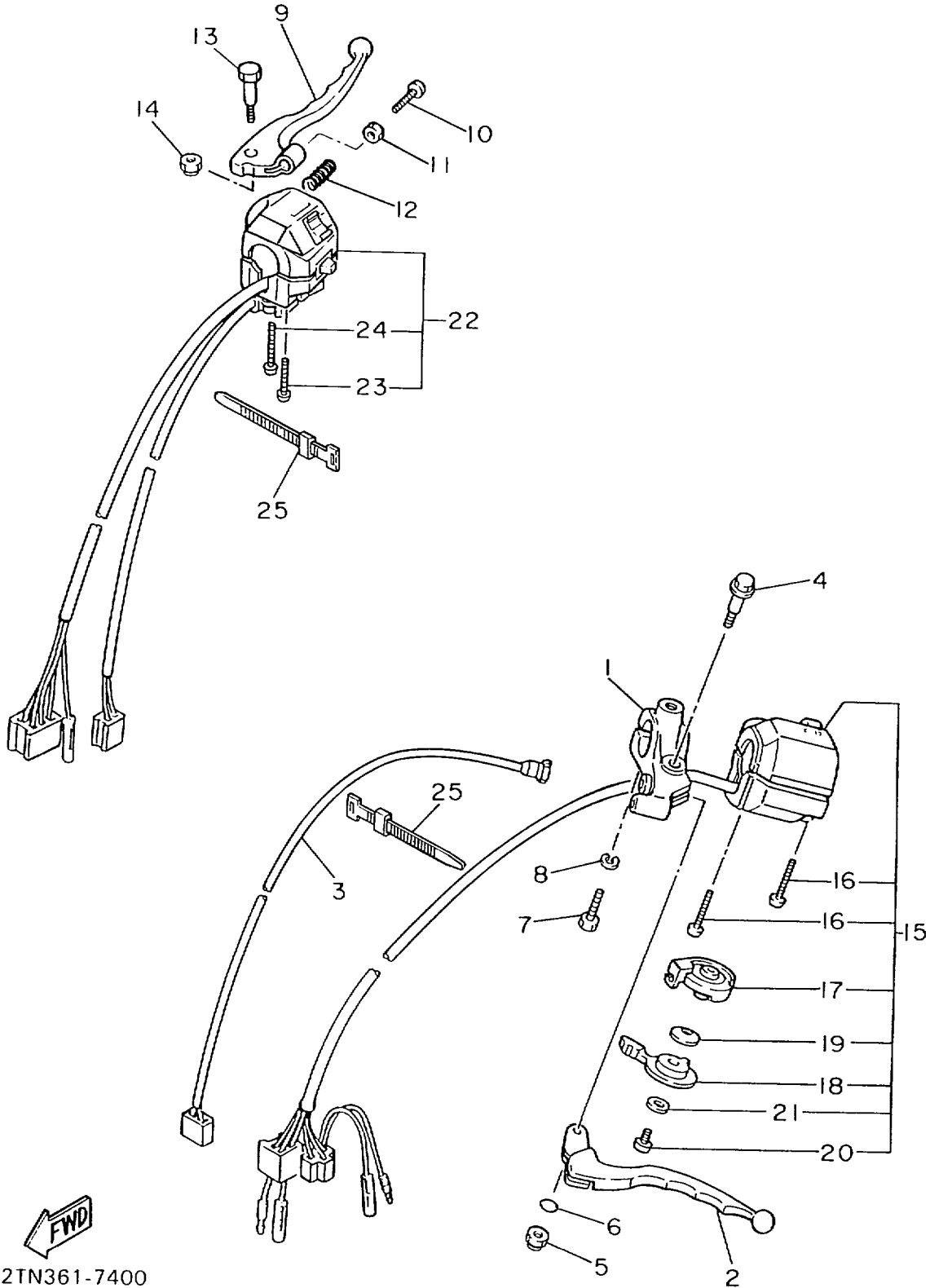
# TAILLIGHT



Ref. No.	Part Number	Description	Qty	Remarks
1	1RM-84700-60-00	TAILLIGHT ASSEMBLY	1	
2	256-84714-61-00	. BULB (12V-27/8W)	2	
3	42X-84721-60-00	. LENS, TAILLIGHT	1	
4	42X-84723-01-00	. GASKET, TAIL LENS	1	
5	1RM-84704-00-00	. GASKET, TAILLIGHT	1	
6	97701-40625-00	. SCREW, TAPPING	2	
7	42X-84717-00-00	. CORD, TAILLIGHT	1	
8	90119-06097-00	BOLT, WITH WASHER	3	
9	90387-065L5-00	COLLAR	3	
10	90480-15316-00	GROMMET	3	
11	90480-16501-00	GROMMET	1	
12	90480-01502-00	GROMMET	1	
13	1RM-84751-00-00	BRACKET, LICENSE	1	
14	95807-06012-00	BOLT, FLANGE	2	

3JKJ171-4390

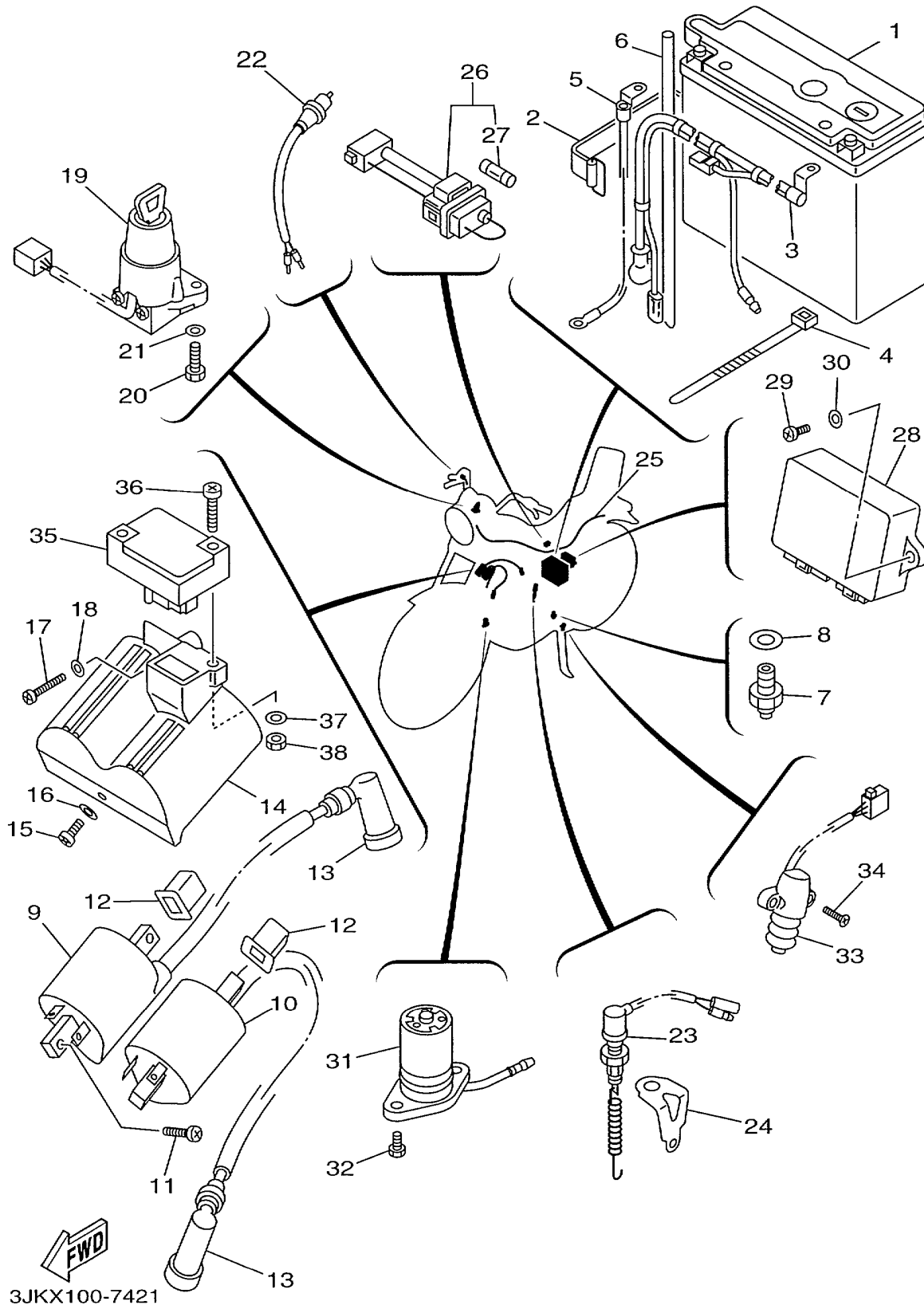
# HANDLE SWITCH - LEVER



Ref. No.	Part Number	Description	Qty	Remarks
1	42X-82911-00-00	HOLDER, LEVER 1	1	
2	2GV-83912-00-00	LEVER 1	1	
3	3Y6-82917-00-00	SWITCH	1	
4	90109-06799-00	BOLT	1	
5	95607-06100-00	NUT, U	1	
6	93210-11368-00	O-RING	1	
7	97007-06025-00	BOLT	1	
8	92907-06100-00	WASHER, SPRING	1	
9	2W1-83922-00-00	LEVER 2	1	
10	90149-06131-00	SCREW	1	
11	90170-06010-00	NUT	1	
12	90501-10312-00	SPRING, COMPRESSION	1	
13	90109-06577-00	BOLT	1	
14	95607-06100-00	NUT, U	1	
15	57A-83973-00-00	SWITCH, HANDLE 3	1	
16	98506-05035-00	. SCREW, PAN HEAD	2	
17	10M-83942-00-00	. COVER, STARTER	1	
18	10M-83941-00-00	. LEVER, STARTER	1	
19	92901-06200-00	. WASHER, PLAIN	1	
20	92506-06008-00	. SCREW	1	
21	92901-06100-00	. WASHER, SPRING	1	
22	1AA-8397X-00-00	. SPACER	1	
23	3CF-83972-00-00	SWITCH, HANDLE 4	1	
24	98506-05040-00	. SCREW, PAN HEAD	1	
25	98506-05045-00	. SCREW, PAN HEAD	1	
26	437-83936-01-00	BAND, SWITCH CORD	4	NOT NUMBERED

FWD  
2TN361-7400

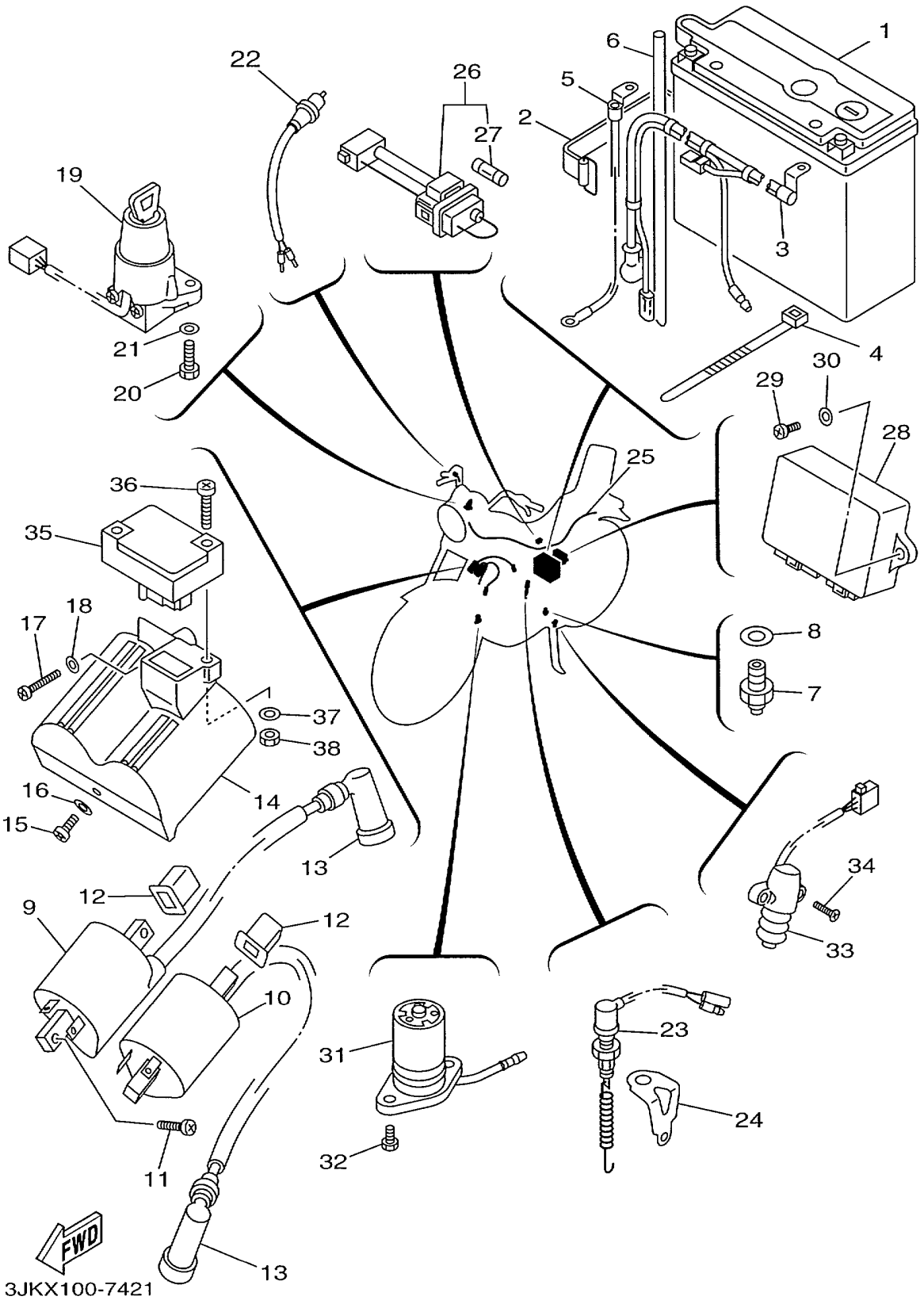
# ELECTRICAL 1



Ref. No.	Part Number	Description	Qty	Remarks
1	BTY-Y50N1-8L-A0	BATTERY ASSEMBLY .....	1	
2	1E6-82131-00-00	BAND, BATTERY .....	1	
3	42H-82115-00-00	WIRE, PLUS LEAD .....	1	
4	1UA-82591-00-00	BAND .....	1	
5	42X-82116-00-00	WIRE, MINUS LEAD .....	1	
6	90445-081A9-00	HOSE .....	1	
7	4KM-82540-00-00	NEUTRAL SWITCH ASSEMBLY	1	
8	90430-10148-00	GASKET .....	1	
9	42X-82310-70-00	IGNITION COIL ASSEMBLY ...	1	
10	42X-82320-70-00	IGNITION COIL ASSEMBLY ...	1	
11	98980-05016-00	SCREW, BIND .....	2	
12	42X-82317-00-00	DAMPER, IGNITION COIL ....	2	
13	1J7-82370-00-00	PLUG CAP ASSEMBLY .....	2	
14	57A-82314-00-00	COVER, IGNITION COIL .....	1	
15	98507-06012-00	SCREW, PAN HEAD .....	1	
16	92907-06600-00	WASHER, PLATE (92906-06600-00) .....	1	
17	98507-06025-00	SCREW, PAN HEAD .....	1	
18	92907-06600-00	WASHER, PLATE (92906-06600-00) .....	1	
19	42H-82501-50-00	MAIN SWITCH STEERING LOCK .....	1	
20	97007-06016-00	BOLT .....	2	
21	92907-06600-00	WASHER, PLATE (92906-06600-00) .....	2	
22	1A0-83980-30-00	FRONT STOP SWITCH ASSEMBLY .....	1	
23	42X-82530-02-00	STOP SWITCH ASSEMBLY ...	1	
24	1FK-82539-00-00	STAY, STOP SWITCH .....	1	
25	3JK-82590-00-00	WIRE HARNESS ASSEMBLY ..	1	

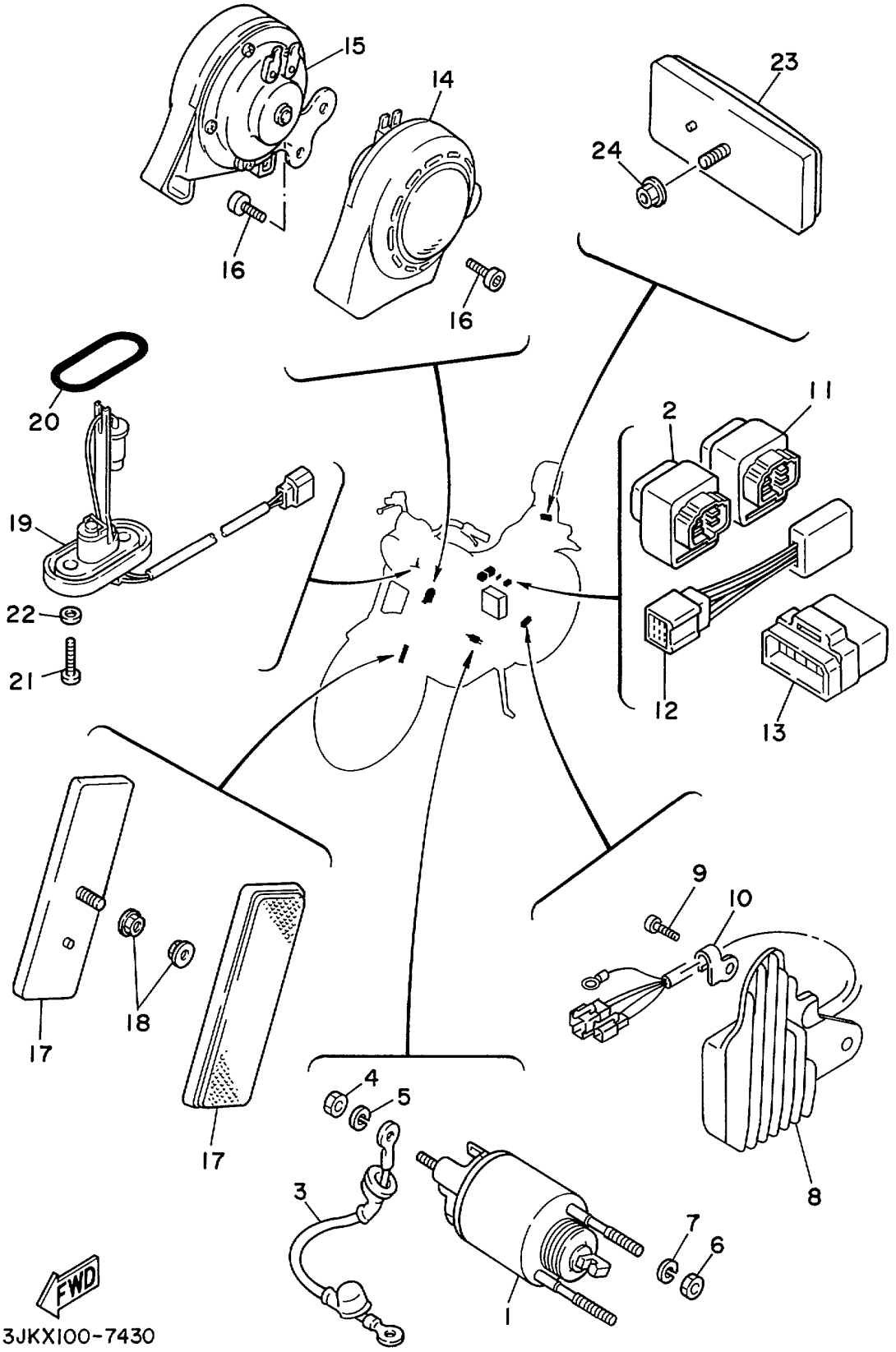
CONTINUED ON NEXT FRAME ➤

# ELECTRICAL 1



Ref. No.	Part Number	Description	Qty	Remarks
26	3H5-82150-00-00	FUSE HOLDER ASSEMBLY ...	1	
27	2H7-82151-00-00	. FUSE (12V-30A) .....	2	
28	3JK-82305-00-00	IGNITOR UNIT ASSEMBLY ...	1	
29	97707-60520-00	SCREW, TAPPING .....	2	
30	90201-063A5-00	WASHER, PLATE .....	2	
31	3JK-85720-00-00	OIL LEVEL GAUGE ASSEMBLY	1	
32	91317-06016-00	BOLT .....	2	
33	4X7-82566-00-00	SWITCH, SIDE STAND .....	1	
34	90152-05021-00	SCREW, COUNTERSUNK .....	2	
35	1TA-82380-20-00	SENSOR, PRESSURE .....	1	
36	98507-06030-00	SCREW, PAN HEAD .....	1	
37	92907-06600-00	WASHER, PLATE (92906-06600-00) .....	1	
38	90170-06184-00	NUT .....	1	

# ELECTRICAL 2



Ref. No.	Part Number	Description	Qty	Remarks
1	5A8-86110-50-00	SOLENOID .....	1	
2	25G-81950-01-00	RELAY ASSEMBLY .....	1	
3	3JK-81815-00-00	CORD, STARTER MOTOR ....	1	
4	95307-06700-00	NUT .....	1	
5	92907-06100-00	WASHER, SPRING .....	1	
6	95307-08700-00	NUT .....	2	
7	92907-08100-00	WASHER, SPRING .....	2	
8	3LP-81960-01-00	RECTIFIER & REGULATOR ASSEMBLY .....	1	
9	97007-06014-00	BOLT .....	2	
10	90461-08113-00	CLAMP .....	1	
11	25G-81950-01-00	RELAY ASSEMBLY .....	1	
12	4U8-81980-M0-00	DIODE ASSEMBLY .....	1	FOR SIDE STAND SAFTY DEVISE
13	41R-83350-71-00	FLASHER RELAY ASSEMBLY .	1	
14	1RM-83371-00-00	HORN .....	1	
15	1RM-83371-10-00	HORN .....	1	
16	91317-06012-00	BOLT .....	2	
17	42X-85110-00-00	REFLECTOR ASSEMBLY ....	2	
18	95707-05500-00	NUT, FLANGE .....	2	
19	42H-85752-01-00	SENDER UNIT ASSEMBLY, FUEL METER .....	1	
20	42X-85753-00-00	GASKET, SENDER UNIT .....	1	
21	90149-06011-00	SCREW .....	2	
22	90202-05193-00	WASHER, PLATE .....	2	
23	42X-85130-01-00	REAR REFLECTOR ASSEMBLY	1	
24	95707-05500-00	NUT, FLANGE .....	1	

  
3JKX100-7430